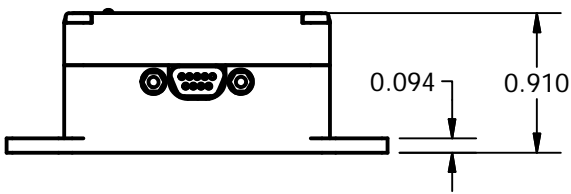
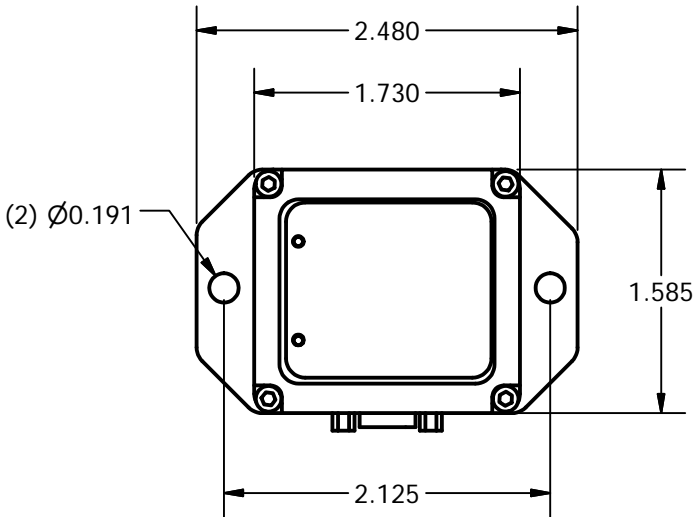
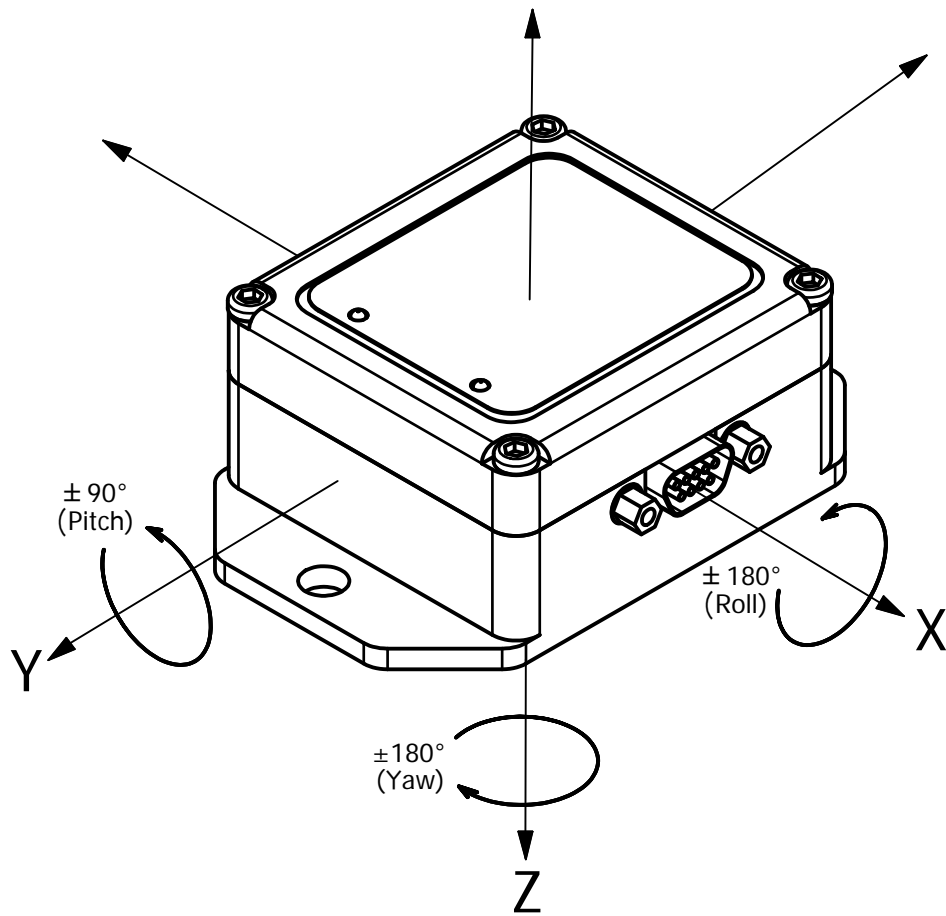


REV	DESCRIPTION	DATE	APPROVED



UNLESS OTHERWISE SPECIFIED ALL DIMENSIONS ARE IN INCHES.  
TOLERANCES:(UOS):  
.X = ± .02; .XX = ± .01; .XXX = ± .005  
HOLE DIAMETERS: ± .002; ANGLES: ± 0.5°  
SURFACE FINISH: 63 MICROINCHES  
MATERIAL:  
N/A

**MicroStrain<sup>®</sup>** 310 Hurricane Lane, Suite 4  
Williston, VT 05495  
802-862-6629

TITLE **USB INERTIA LINK BASIC DIMENSIONS**

THIS DRAWING AND SPECIFICATIONS ARE THE PROPERTY OF MICROSTRAIN INC. AND SHALL NOT BE PRODUCED WITHOUT PERMISSION FROM MICROSTRAIN INC.

DESIGNED BY: S Santerre  
DRAWN BY: S Santerre  
CHECKED BY:                      APPROVED BY: S Santerre

SIZE A	CAGE CODE OXYZ9	DWG NO: 3048-5001	REV 000
SCALE 1:1		DATE: 9/20/2007	SHEET 1 OF 1