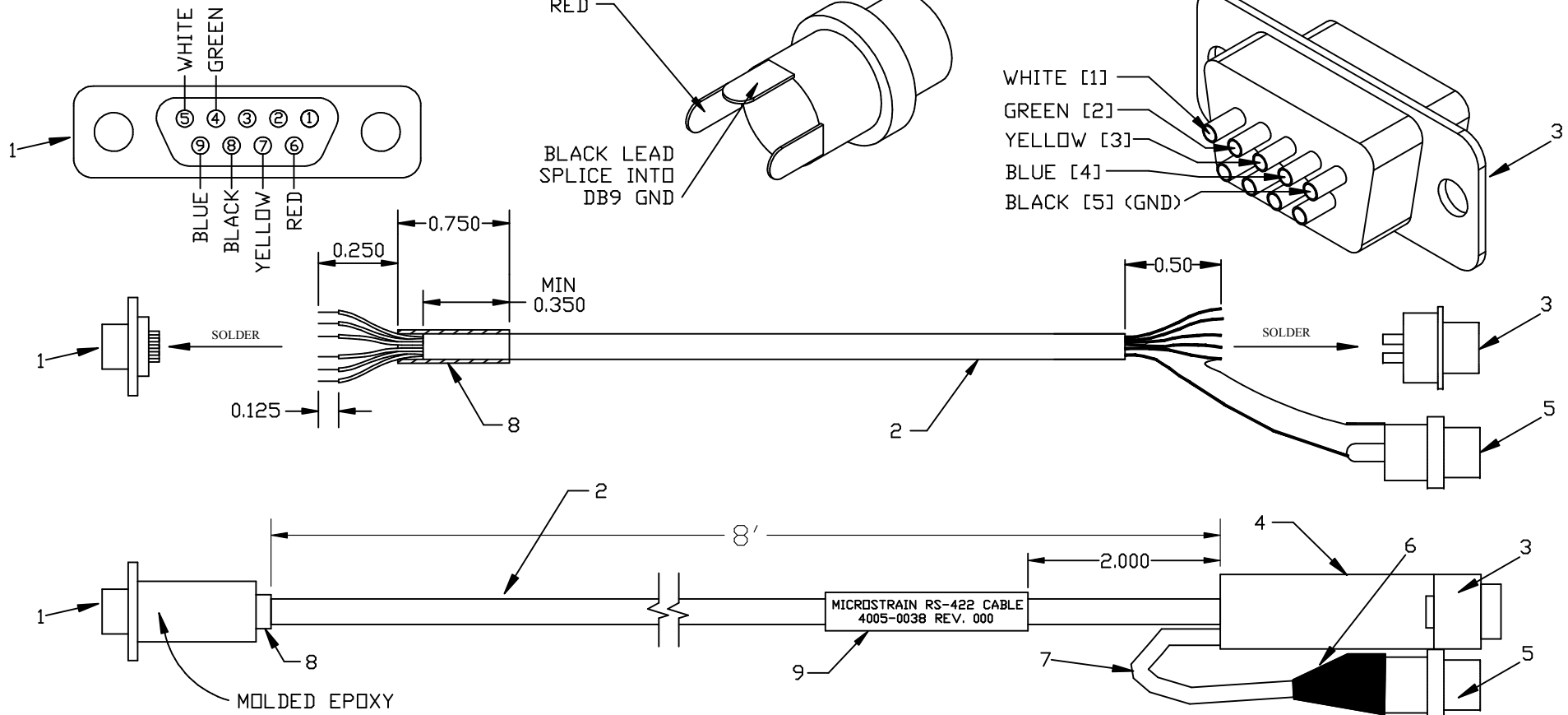


(C) MICROSTRAIN, INC. 2007 ALL RIGHTS RESERVED.
 THIS DRAWING AND SPECIFICATIONS ARE THE PROPERTY OF
 MICROSTRAIN INC. AND SHALL NOT BE REPRODUCED WITHOUT
 PERMISSION FROM MICROSTRAIN INC.

REVISIONS				
ZONE	REV	DESCRIPTION	DATE	APPROVED

MICRO DB-9 MALE
 (VIEWED FROM SOLDER CUP SIDE)



DRAWN BY: Sean Santerre		SIZE A	CAGE CODE: 0XYZ9	DWG NO. 4005-0038-ASY	REV 000
		APPROVED BY: Grayson King		SCALE 1:1	DATE: 17 MAY, 2007

310 Hurricane Lane, Suite 4
 Williston, VT
 (P) 802-862-6629

MicroStrain®

TITLE
RS-422 MICRO-DB9 CABLE, 8'

SHEET **1 OF 1**