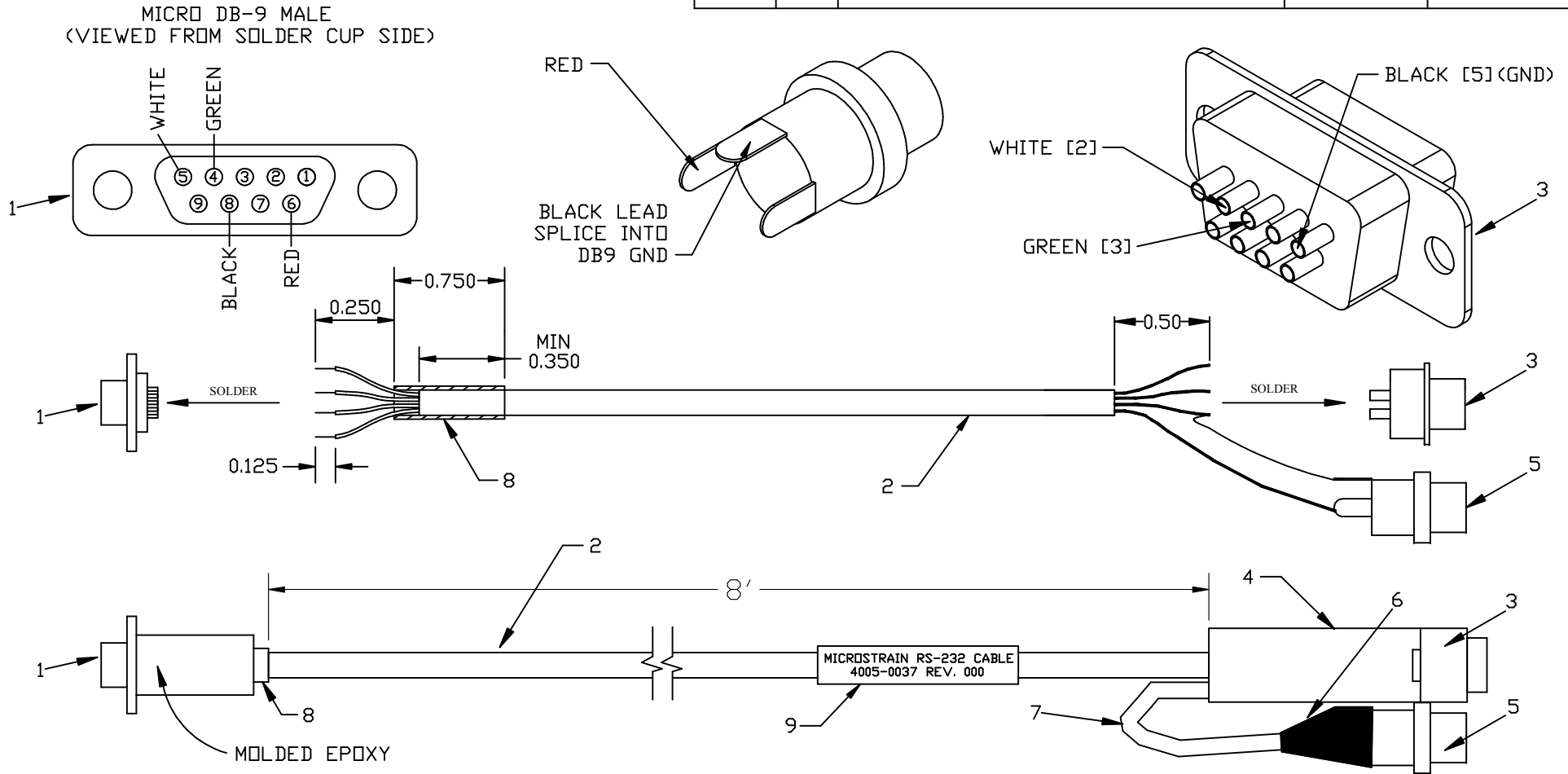


(C) MICROSTRAIN, INC. 2007 ALL RIGHTS RESERVED.  
 THIS DRAWING AND SPECIFICATIONS ARE THE PROPERTY OF  
 MICROSTRAIN INC. AND SHALL NOT BE REPRODUCED WITHOUT  
 PERMISSION FROM MICROSTRAIN INC.

REVISIONS				
ZONE	REV	DESCRIPTION	DATE	APPROVED



**NOTES:**

1. 9008-0154
2. 9009-0003
3. 9008-0018
4. 9008-0019
5. 9008-0053
6. 9107-0008
7. 9107-0006
8. 9107-0005
9. 9108-0002 (As Marked)

**MicroStrain**<sup>®</sup> 310 Hurricane Lane, Suite 4  
 Williston, VT  
 (P) 802-862-6629

TITLE  
**RS-232 MICRO - DB9 CABLE, 8'**

DRAWN BY: Sean Santerre

APPROVED BY: Grayson King

SIZE  
**A**

CAGE CODE:  
 0XYZ9

DWG NO. **4005-0037-ASY**

REV  
 -

SCALE **1:1**

DATE: 17 MAY, 2007

SHEET 1 OF 1