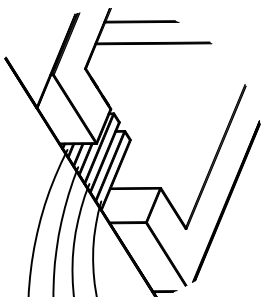
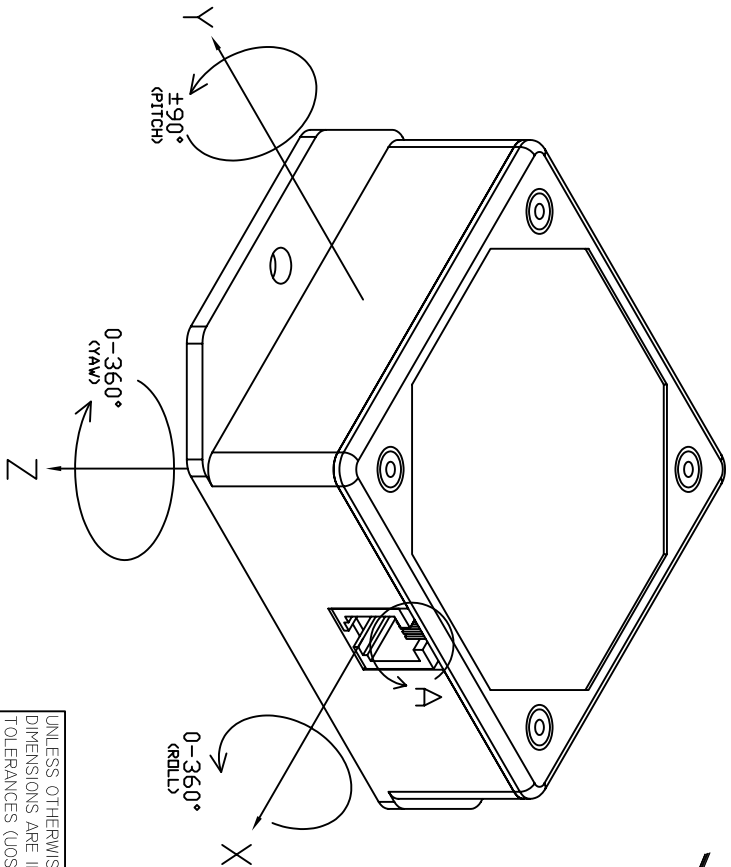
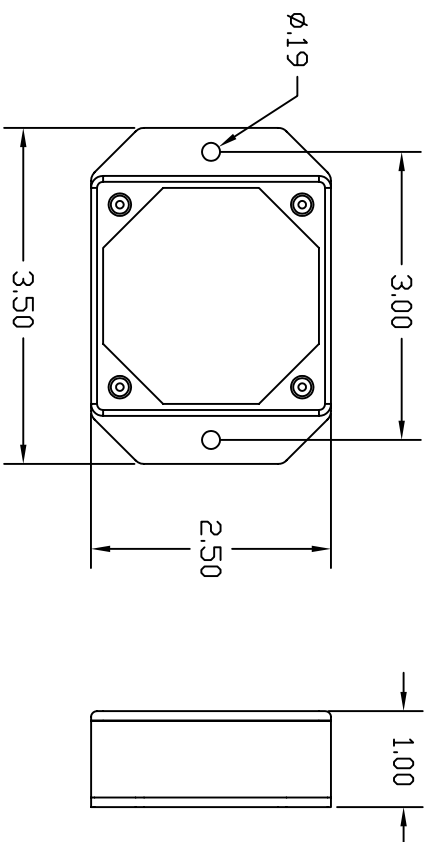


(C) MICROSTRAIN, INC. 1998. ALL RIGHTS RESERVED.
 THIS DRAWING AND SPECIFICATIONS ARE THE PROPERTY OF
 MICROSTRAIN INC. AND SHALL NOT BE REPRODUCED WITHOUT
 PERMISSION FROM MICROSTRAIN INC.

REVISIONS		3010-0012		
ZONE	REV	DESCRIPTION	DATE	APPROVED
	C	ORIENTATION CHANGE	08/30/07	
	D	ORIENTATION CHANGE	09/20/07	




1. GROUND
2. V+ (6-12V)
3. RXD (3DM) (TD TXD DN PC)
4. TXD (3DM) (TD RXD DN PC)



UNLESS OTHERWISE SPECIFIED ALL
 DIMENSIONS ARE IN INCHES.
 TOLERANCES (UOS)
 FRACTIONS: +/-1/64
 DECIMALS: .XXX +/--.01
 ANGLES: +/- 0.5 DEGREES
 SURFACE FINISH: 63 MICRONS

- NOTES:
1. 360° ROTATION ON ALL 3 AXIS AVAILABLE IN MATRIX MODE.
 2. ENCLOSURE MATERIAL; ABS PLASTIC WITH UL FLAME RATING OF 94-V0.

DRAWN BY: STEVEN MUNDELL		TITLE: 3DM	
APPROVED BY:		 294 N. WINDOSKI AVE. BURLINGTON, VT (P) 802-862-6629	
SIZE: A	CAGE CODE: 0XYZ9	DWG NO: 3010-0012	REV: D
SCALE: 1:1	DATE: 20 SEPT 2007	SHEET: 1 OF 1	