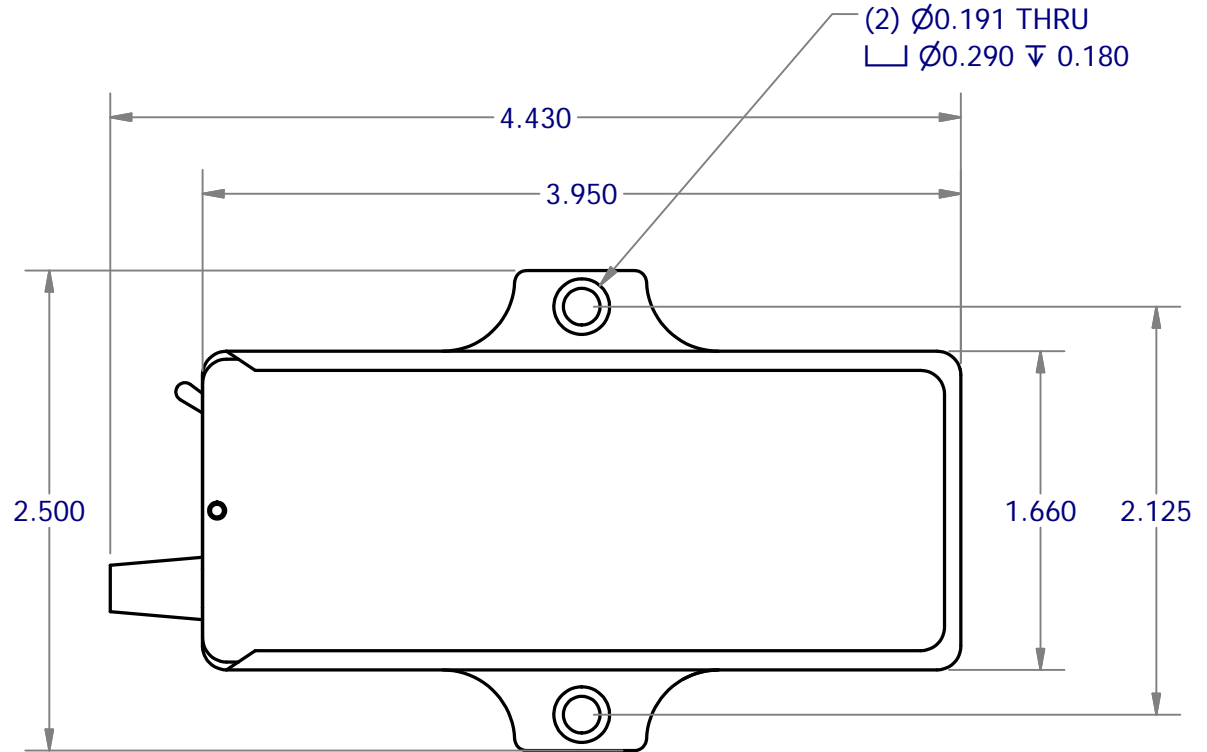
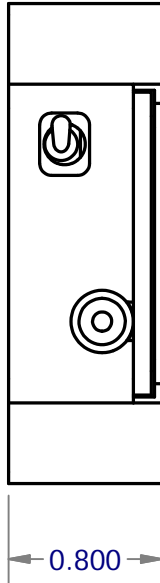
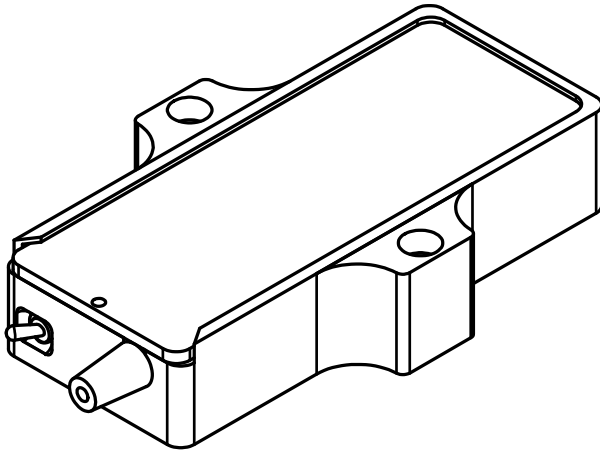


2

1

REV	DESCRIPTION	DATE	APPROVED



UNLESS OTHERWISE SPECIFIED ALL DIMENSIONS ARE IN INCHES.
 TOLERANCES:(UOS):
 .X = ± .02; .XX = ± .01; .XXX = ± .005
 HOLE DIAMETERS: ± .002; ANGLES: ± 0.5°
 SURFACE FINISH: 63 MICROINCHES
 MATERIAL:

MicroStrain[®] 310 Hurricane Lane, Suite 4
 Williston, VT 05495
 802-862-6629

TITLE
LITHIUM BATTERY PACK

DESIGNED BY: S Santerre
 DRAWN BY: S Santerre
 CHECKED BY: APPROVED BY: S Santerre

SIZE A	CAGE CODE OXYZ9	DWG NO: 3053-0000-MDL	REV
SCALE 1:1		DATE: 2/6/2008	SHEET 1 OF 1

THIS DRAWING AND SPECIFICATIONS ARE THE PROPERTY OF MICROSTRAIN INC. AND SHALL NOT BE PRODUCED WITHOUT PERMISSION FROM MICROSTRAIN INC.

2

1