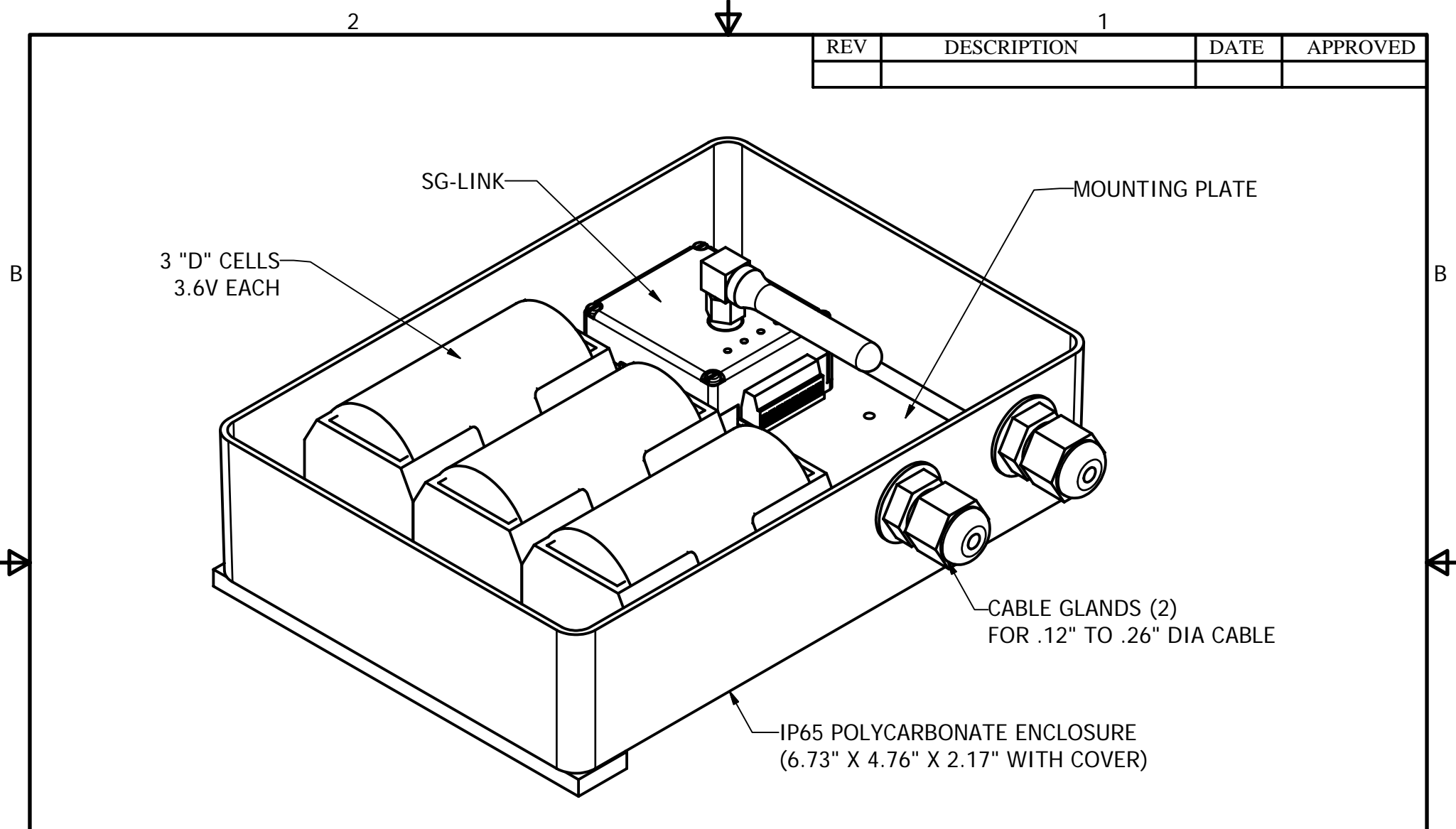


REV	DESCRIPTION	DATE	APPROVED



3 "D" CELLS
3.6V EACH

SG-LINK

MOUNTING PLATE

CABLE GLANDS (2)
FOR .12" TO .26" DIA CABLE

IP65 POLYCARBONATE ENCLOSURE
(6.73" X 4.76" X 2.17" WITH COVER)

UNLESS OTHERWISE SPECIFIED ALL DIMENSIONS ARE IN INCHES.
TOLERANCES:(UOS):
.X = ± .02; .XX = ± .01; .XXX = ± .005
HOLE DIAMETERS: ± .002; ANGLES: ± 0.5°
SURFACE FINISH: 63 MICROINCHES
MATERIAL:

MicroStrain[®]

310 Hurricane Lane, Suite 4
Williston, VT 05495
802-862-6629

TITLE
SG-LINK-IP65-XXL-ENCLOSURE

THIS DRAWING AND SPECIFICATIONS ARE THE PROPERTY OF MICROSTRAIN INC. AND SHALL NOT BE PRODUCED WITHOUT PERMISSION FROM MICROSTRAIN INC.

DESIGNED BY: S Santerre	DRAWN BY: S Santerre
CHECKED BY:	APPROVED BY: S Santerre

SIZE A	CAGE CODE OXYZ9	DWG NO: 3036-0032	REV -
SCALE N/A		DATE: 12/4/2007	SHEET 1 OF 1

2

1

2

1