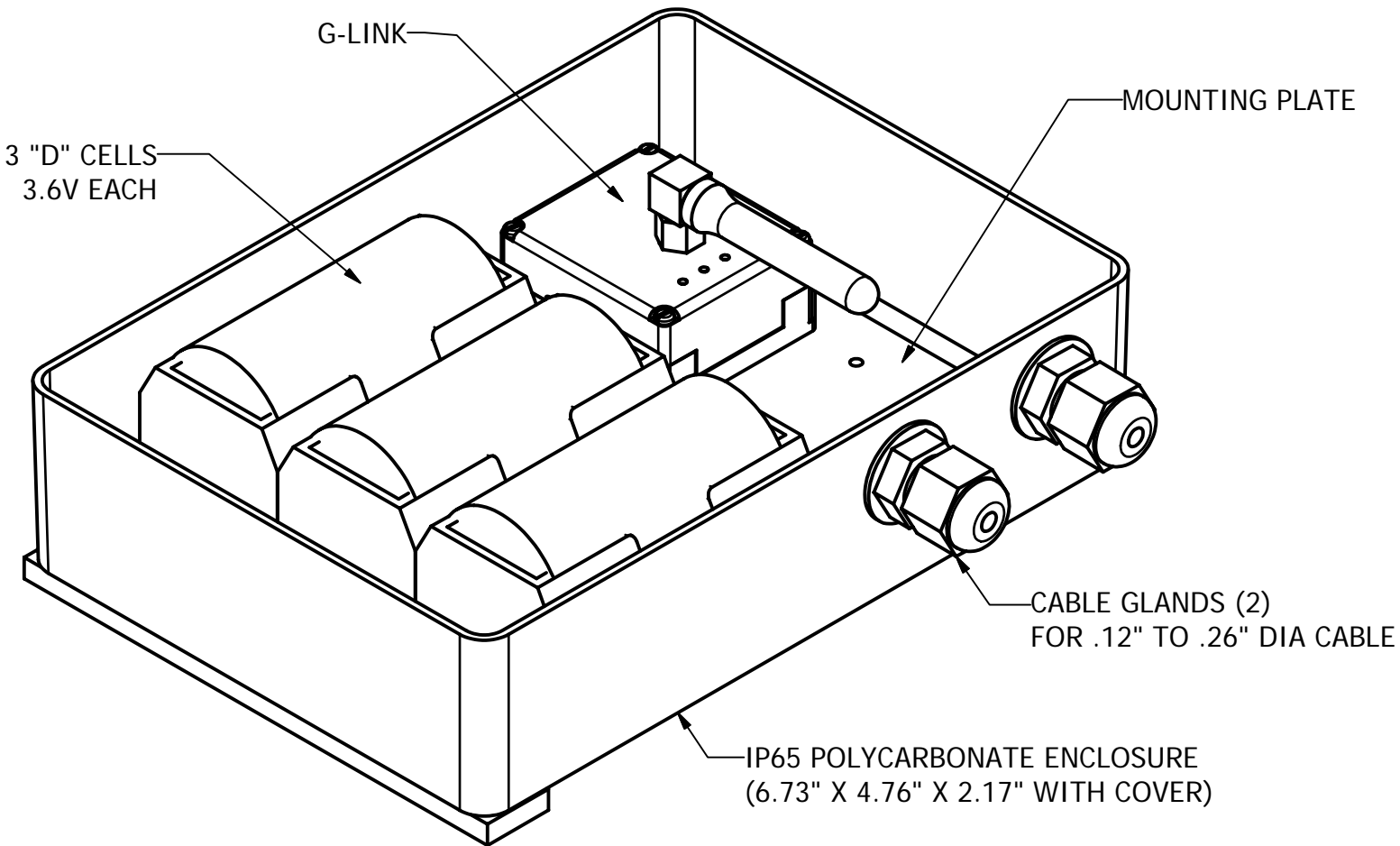


REV	DESCRIPTION	DATE	APPROVED



UNLESS OTHERWISE SPECIFIED ALL DIMENSIONS ARE IN INCHES.  
 TOLERANCES:(UOS):  
 .X = ± .02; .XX = ± .01; .XXX = ± .005  
 HOLE DIAMETERS: ± .002; ANGLES: ± 0.5°  
 SURFACE FINISH: 63 MICROINCHES  
 MATERIAL:



310 Hurricane Lane, Suite 4  
 Williston, VT 05495  
 802-862-6629

TITLE  
**G-LINK-IP65-XXL-ENCLOSURE**

THIS DRAWING AND SPECIFICATIONS ARE THE PROPERTY OF MICROSTRAIN INC. AND SHALL NOT BE PRODUCED WITHOUT PERMISSION FROM MICROSTRAIN INC.

DESIGNED BY: S Santerre	DRAWN BY: S Santerre
CHECKED BY:	APPROVED BY: S Santerre

SIZE A	CAGE CODE OXYZ9	DWG NO: 3023-0056	REV -
SCALE N/A		DATE: 12/4/2007	SHEET 1 OF 1

2

1

2

1