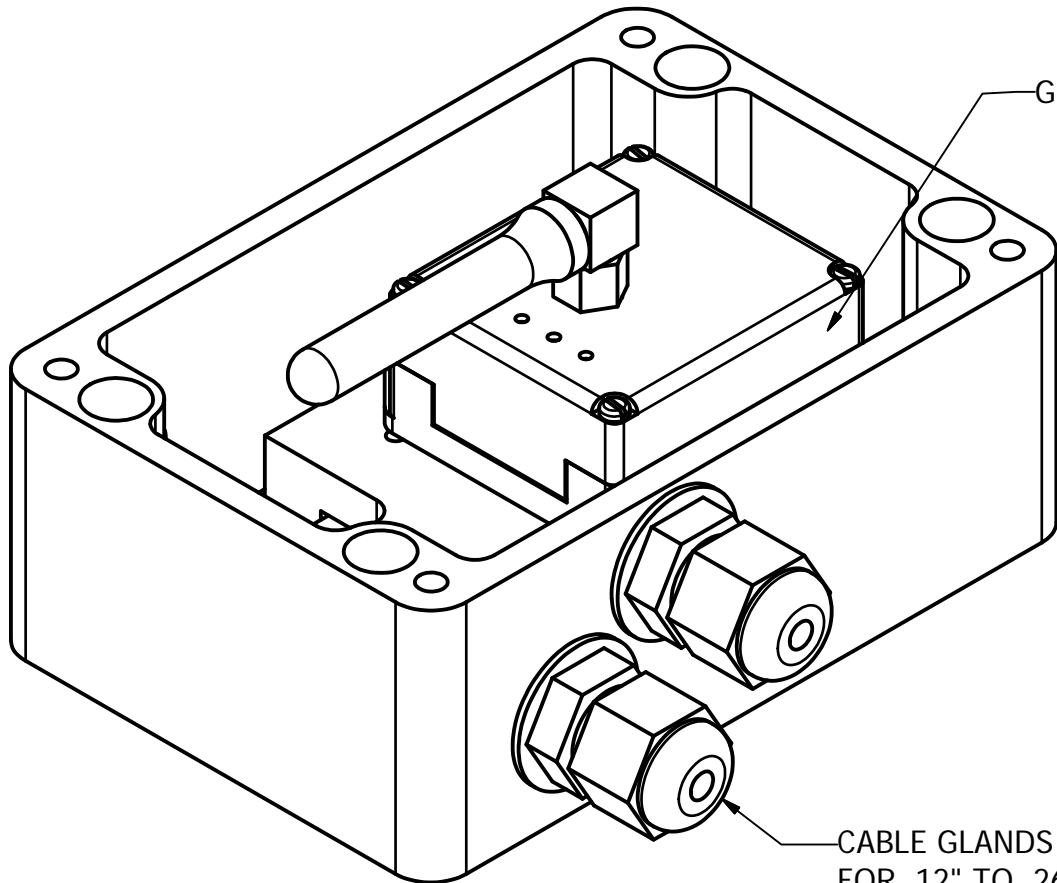


2

1

REV	DESCRIPTION	DATE	APPROVED



G-LINK

CABLE GLANDS (2)
FOR .12" TO .26" DIA CABLE

B

B

A

A

UNLESS OTHERWISE SPECIFIED ALL DIMENSIONS ARE IN INCHES.
 TOLERANCES:(UOS):
 .X = ± .02; .XX = ± .01; .XXX = ± .005
 HOLE DIAMETERS: ± .002; ANGLES: ± 0.5°
 SURFACE FINISH: 63 MICROINCHES
 MATERIAL:



310 Hurricane Lane, Suite 4
 Williston, VT 05495
 802-862-6629

TITLE
G-LINK-IP65-ENCLOSURE

THIS DRAWING AND SPECIFICATIONS ARE THE PROPERTY OF MICROSTRAIN INC. AND SHALL NOT BE PRODUCED WITHOUT PERMISSION FROM MICROSTRAIN INC.

DESIGNED BY: S Santerre	DRAWN BY: S Santerre
CHECKED BY:	APPROVED BY: S Santerre

SIZE A	CAGE CODE OXYZ9	DWG NO: 3023-0053	REV -
SCALE N/A	DATE: 12/4/2007	SHEET 1 OF 1	

2

1