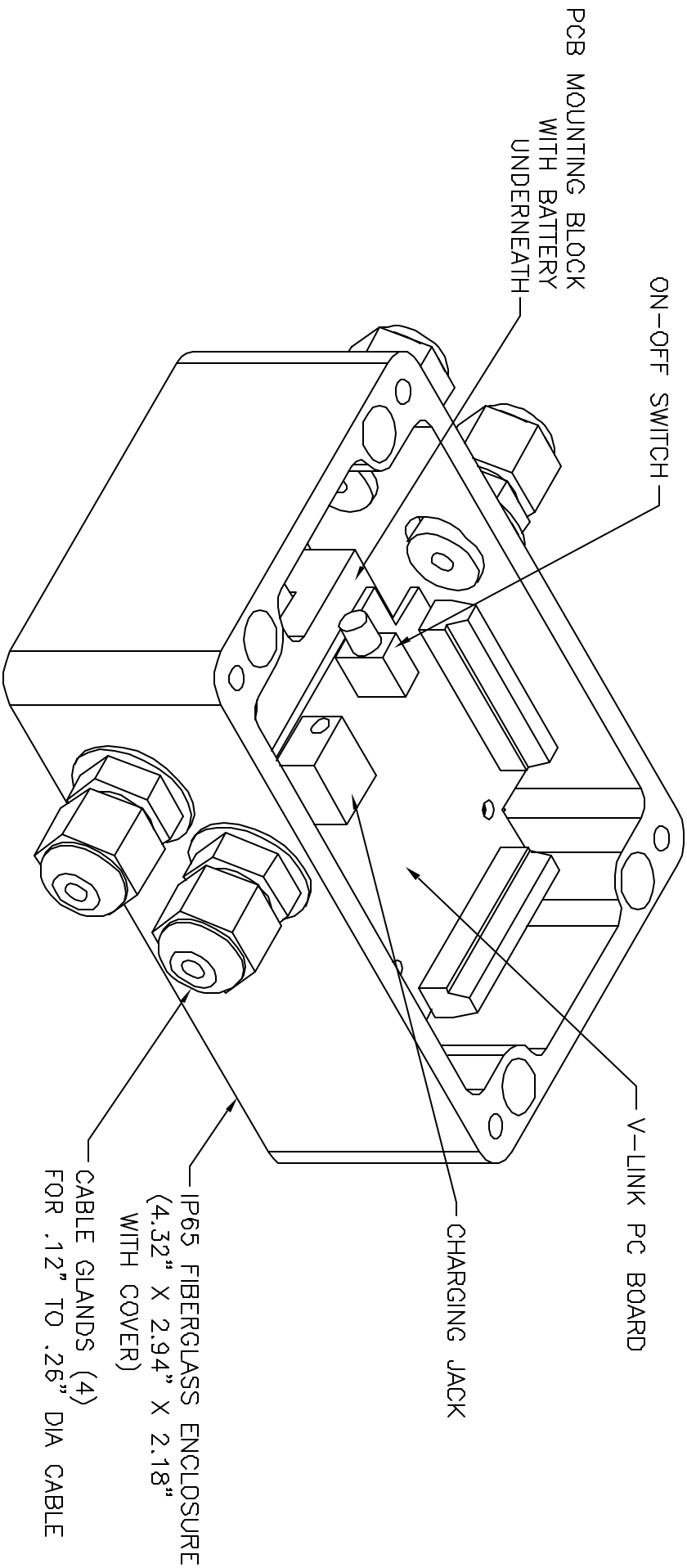


THIS DRAWING AND SPECIFICATIONS ARE THE PROPERTY OF MICROSTRAIN INC. AND SHALL NOT BE REPRODUCED WITHOUT PERMISSION FROM MICROSTRAIN INC.

REVISIONS		3023-0016	
REV	DESCRIPTION	DATE	APPROVED
-	-	-	-
-	-	-	-



UNLESS OTHERWISE SPECIFIED ALL DIMENSIONS ARE IN INCHES. TOLERANCES (UOS):
 .X = ± .02; .XX = ± .01; .XXX = ± .005
 HOLE DIAMETERS: ± .002; ANGLES: ± 0.5°
 SURFACE FINISH: 63 MICROINCHES MATERIAL:

MicroStrain © 310 Hurricane Lane, Suite 4
 Williston, VT 05495
 802-862-6629

TITLE: **V-LINK-IP65-ENCL**

DESIGNED BY: S. PENDO	DRAWN BY: S. PENDO
CHECKED BY: X	APPROVED BY: S. PENDO

SIZE A	CAGE CODE 0XYZ9	DWG NO. 3023-0016	REV -
SCALE 1:1	DATE 5/8/03	SHEET 1 OF 1	