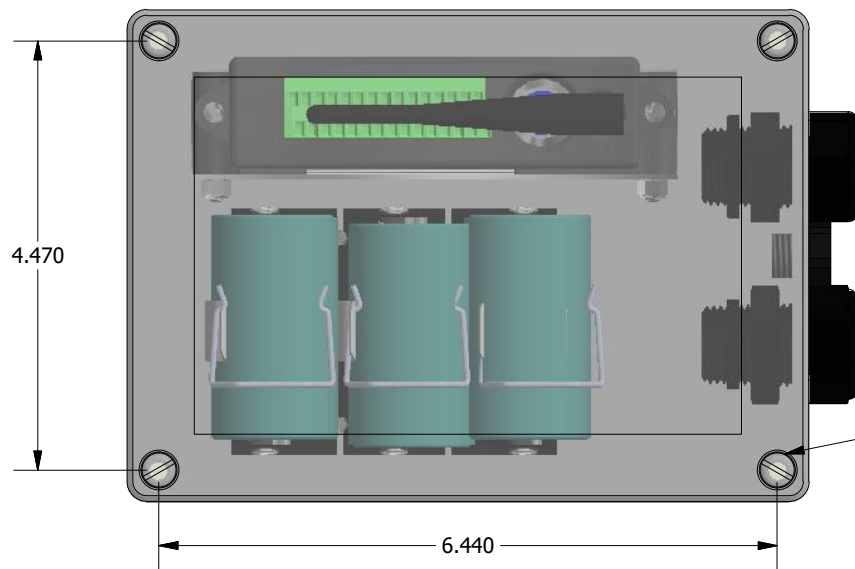


2

1

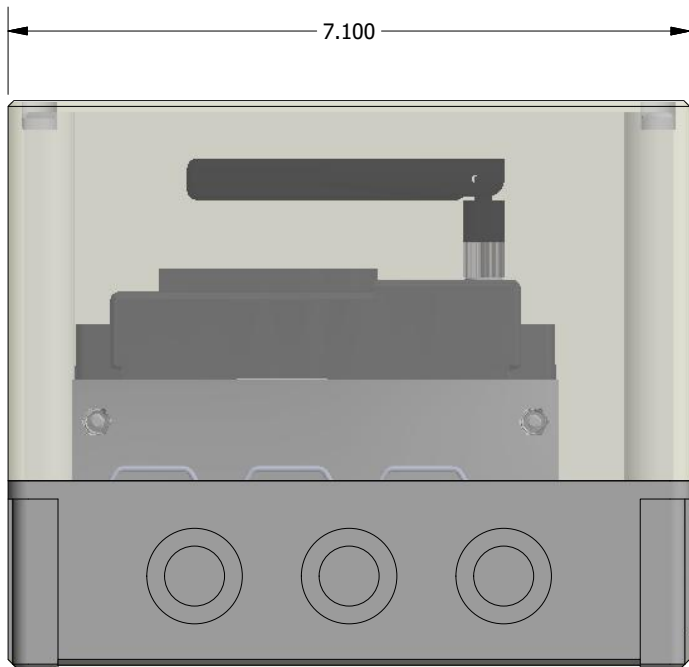


4.470

6.440

4X Ø .188 MOUNTING HOLES

7.100



5.930



5.120

NOTES:
1.) DRAWING SCALE 1:2

UNLESS OTHERWISE SPECIFIED
ALL DIMENSIONS ARE IN INCHES.
TOLERANCES:(UOS):
.X = ± .02
.XX = ± .01
.XXX = ± .005
HOLE DIAMETERS: ± .002
ANGLES: ± 0.5°
SURFACE FINISH: 63
MICROINCHES
MATERIAL:

DRAWN Chad Thelen	8/2/2017
REFERENCE PLM SYSTEM FOR APPROVALS	
THIS DRAWING AND SPECIFICATIONS ARE THE PROPERTY OF LORD-MICROSTRAIN AND SHALL NOT BE PRODUCED WITHOUT PERMISSION FROM LORD-MICROSTRAIN	

L O R D Sensing 459 HURRICANE LN. WILLISTON VT 802-862-6629	
TITLE V-LINK-200-IP66	
DWG NO 6313-5210	REV A
SIZE: A	CAGE CODE OXYZ9
SHEET 1 OF 1	
WWW.MICROSTRAIN.COM	

2

1