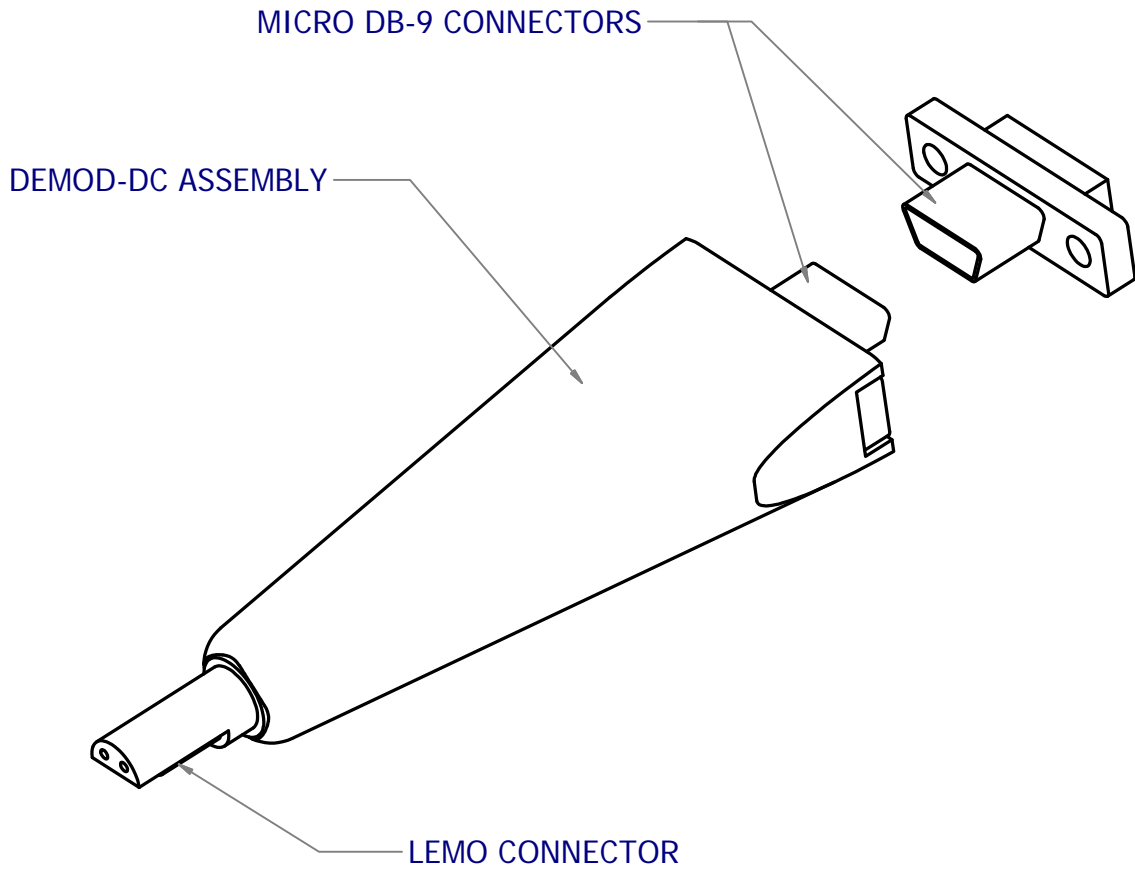


REV	DESCRIPTION	DATE	APPROVED
001	UPDATE PINOUT ON DRAWING (REMOVE 1-6)	3/20/09	D O'NEIL



MICRO DB-9 WIRING:

PIN 7	PURPLE	GROUND
PIN 8	BLUE	OUTPUT 0-5VDC
PIN 9	GREEN	INPUT 6-16VDC

UNLESS OTHERWISE SPECIFIED ALL DIMENSIONS ARE IN INCHES.
 TOLERANCES:(UOS):
 .X = ± .02; .XX = ± .01; .XXX = ± .005
 HOLE DIAMETERS: ± .002; ANGLES: ± 0.5°
 SURFACE FINISH: 63 MICROINCHES
 MATERIAL:
 FINISH:



310 Hurricane Lane, Suite 4
 Williston, VT 05495
 802-862-6629

TITLE DEMOM-DC2 MICRO DB-9 ASSEMBLY			
SIZE A	CAGE CODE OXYZ9	DWG NO: 3029-0002	REV 001
SCALE 2:1		DATE: 3/20/2009	SHEET 1 OF 1

THIS DRAWING AND SPECIFICATIONS ARE THE PROPERTY OF MICROSTRAIN INC. AND SHALL NOT BE PRODUCED WITHOUT PERMISSION FROM MICROSTRAIN INC.

DESIGNED BY:
D O'NEIL

DRAWN BY:
D O'Neil

CHECKED BY:
D O'NEIL

APPROVED BY:
B TRUTOR