



SERIES 707: SINGLE-ENDED CORDSET, MALE PLUG, M5X0.5, 24 AWG (0.25MM2), 2M PUR CABLE



Product	Qty	Price
SINGLE-ENDED CORDSET, MALE PLUG, M5X0.5, 24 AWG (0.25MM2), 2M PUR CABLE Part # 79 3107 32 04 <ul style="list-style-type: none"> • Overmolded • non-shielded • Contacts: 4 • Contact Plating: Gold • IP 67 • M5 Locking 	115	\$17.31
Additional Pricing		
1-9		\$17.31
10-24		\$14.06
25-49		\$11.90
For larger quantities please contact Binder-USA		

Description

The **Series 707** M5 connectors are a unique Binder development for the miniature sensor market. The product line offers 3 and 4 position cable cordsets and a range of panel-mounted receptacles. All connectors are either factory PUR overmolded or supplied with attached leads. This Series has IP 67 / IP 68 protection ratings and the threaded nut is immune to vibration. Each connector is available in 2 or 5 meter PUR cable lengths. Custom lengths are available upon request (must satisfy MOQ requirements).

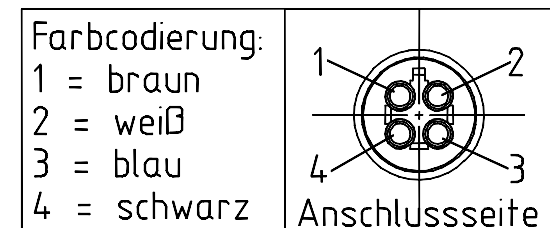
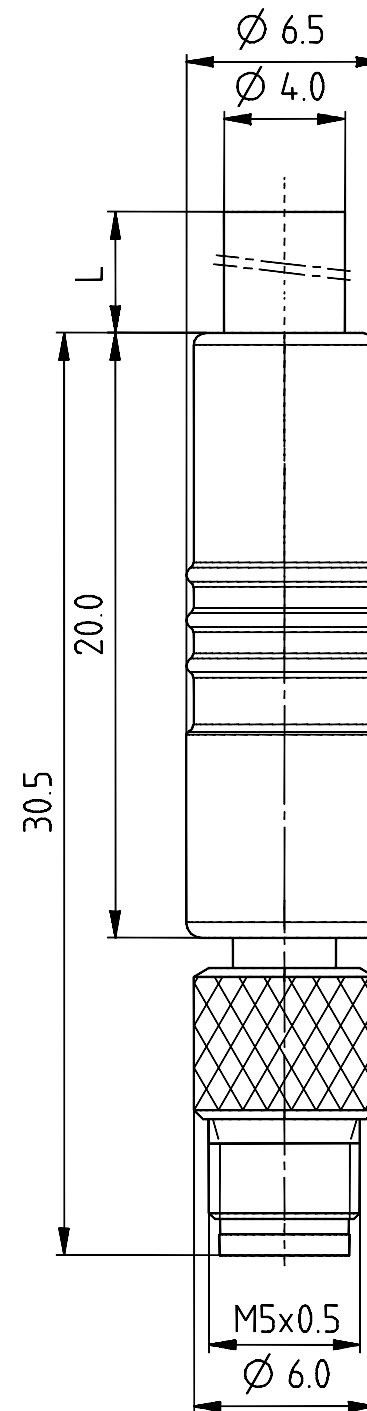
Receptacles are front- or rear-mounted with dip solder contacts or prewired with attached leads.

Specifications

- Locking System: M5 Locking
- Number of Contacts: 4
- Gender: Male
- Shell Material: Plastic
- Maximum Diameter (mm): 6
- Termination: Overmolded
- Protection: IP 67
- Shielding: non-shielded
- Contact Plating: Gold
- Rated Voltage (V): 60
- Rated Current (A): 1
- Cable Length (M): 2
- Cable Material: PUR
- Wire Gauge (max AWG): 24
- Form: Straight

Pol.	Bestell-Nr.	Beschreibung L	Kabel-Nr.	L-Tol	Bedruckung	Bemerkung
4	79-3107-215-04	4x0.25mm ² , 1.5 m PUR	52-0466-005	+ 174	Weidmüller 1871700150	
4	79-3107-32-04	4x0.25mm ² , 2 m PUR	52-0466-001	+ 174		
4	79-3107-218-04	4x0.25mm ² , 3 m PUR	52-0466-007	+ 199	Weidmüller 1871700300	
4	79-3107-35-04	4x0.25mm ² , 5 m PUR	52-0466-002	+ 199		
4	79-3107-217-04	4x0.25mm ² , 5 m PUR	52-0466-002	+ 199	Weidmüller 1871700500	
4	79-3107-216-04	4x0.25mm ² , 10 m PUR	52-0466-006	+ 249	Weidmüller 1871701000	

Produktzeichnung 00-7070-0026



Technische Daten
siehe 06-7070-0001

Werkstoff				Nr.		Oberfläche		Index
franz binder gmbh+co. elektrische bauelemente kg				Schutzvermerk DIN 34-1-D		Maße ohne Toleranzang.		Maßstab 4:1
			2004	Datum	Name	Benennung 4p. Kupplungsstecker umspritzt, M5x0.5, 4x0.25mm ²		
			Bearb.	25.10.	C.Gö.			
			Gepr.					
			Norm					
			Serie: 707			Zeichnungs-Nr. 79-3107-xx-04		Blatt 2
d	7832	25.10.04	Gö.	CAD:79-3107-xx-04-v01			Ers.f.: gl.Zgv.04.03.04 (d)	von
Index	Änderung	Datum	Name	Ers.d.:				