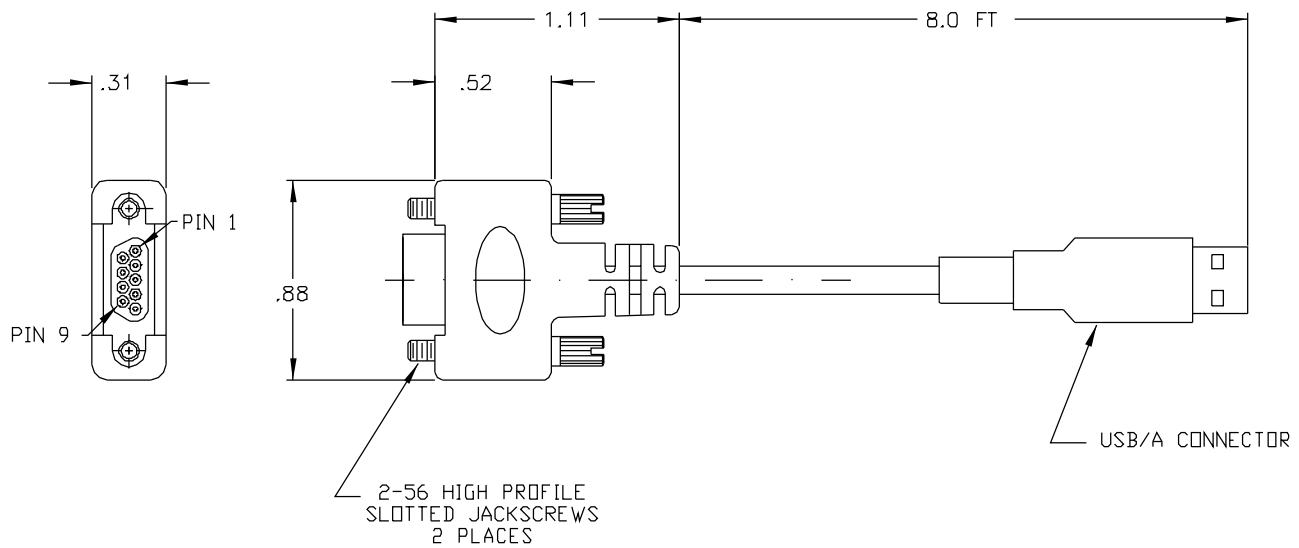




10	9	8	7	6	5	4	3	2	SD-834319018			
							PART REV	DWG ISSUE	DATE	ECN NO.	APPVD BY	REL BY
							-	-	2-23-06	UMI3306		



MICRO-D	USB
1	WHITE
2	GREEN
3	RED
8	BLACK
4	DEAD CONTACT
5	DEAD CONTACT
6	DEAD CONTACT
7	DEAD CONTACT
9	DEAD CONTACT

9022-0019

2. MATERIALS: OVERMOLD - PVC
 JACKSCREWS - BLACK ANODIZED ALUMINUM
 SHELL - BLACK ANODIZED ALUMINUM

1. MARKING: NONE

NOTES: UNLESS OTHERWISE SPECIFIED.

QUALITY SYMBOLS MAJOR = 0 CRITICAL $\nabla_C = 0$ SPC $\nabla_S = 0$	UNLESS SPECIFIED: ALL DIMENSIONS IN INCHES GENERAL TOLERANCES: 3 PLACE ± 0.05 2 PLACE ± 0.1 ANGULAR $\pm 2^\circ$	SCALE NONE DWG SIZE B	THIRD ANGLE PROJECTION	REVISE ON CAD ONLY	
	DRAWN BY & DATE DW 2-23-06	CHECKED BY & DATE	TITLE: CONNECTOR ASSEMBLY, APRO9P06-S03 SPL		
	APPROVED BY & DATE	MATERIAL: Ulti-Mate Connector Inc.	CAD FILENAME SD-834319018.DGN	PART NO. 834319018	DRAWING NO. SD-834319018
	Ulti-Mate CAGE CODE 58967	THIS DRAWING CONTAINS INFORMATION THAT IS PROPRIETARY TO ULTI-MATE INCORPORATED AND SHOULD NOT BE USED WITHOUT WRITTEN PERMISSION.	SHEET NO. 1 OF 1	REV -	