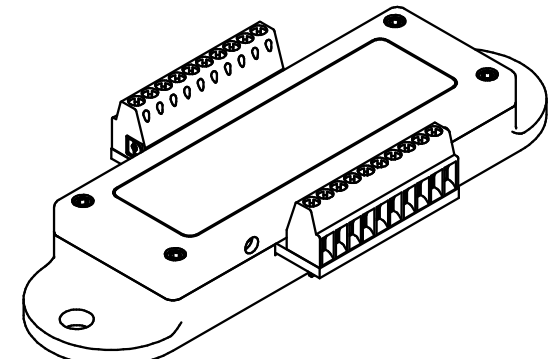
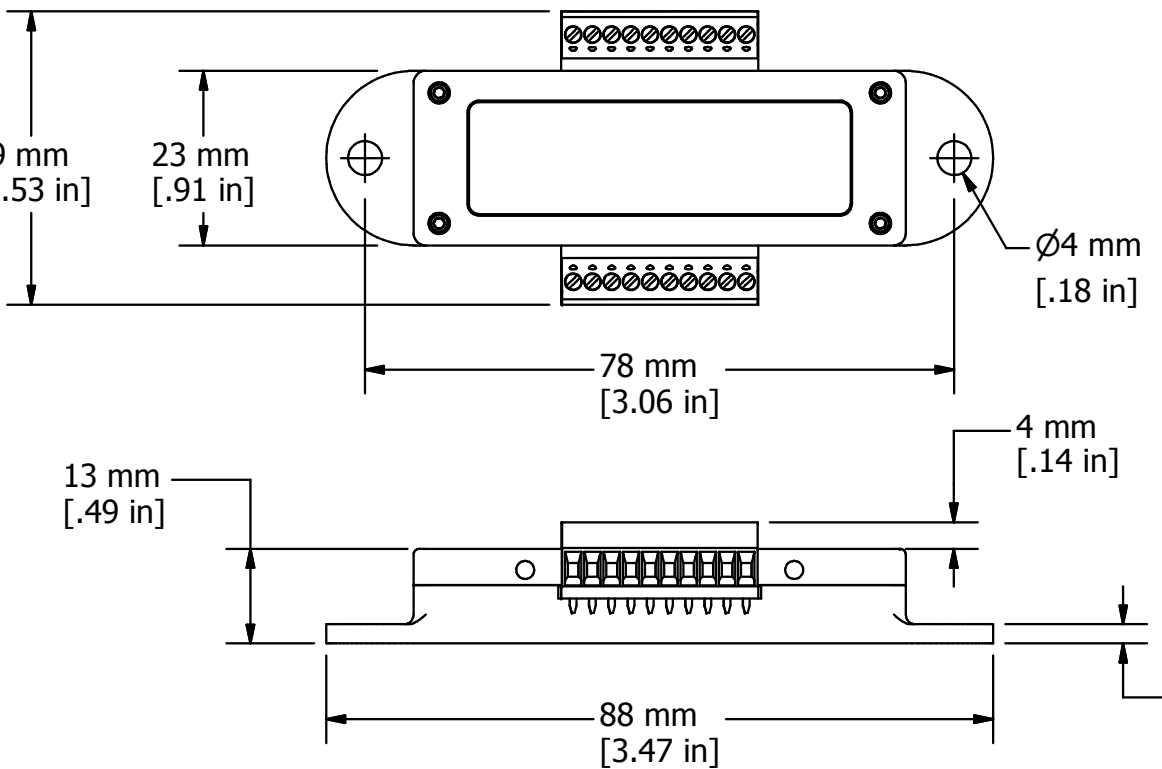


2

1

REV	DESCRIPTION	DATE	APPROVED



B

B

A

A

UNLESS OTHERWISE SPECIFIED ALL DIMENSIONS ARE IN INCHES.  
 TOLERANCES:(UOS):  
 .X = ± .02; .XX = ± .01; .XXX = ± .005  
 HOLE DIAMETERS: ± .002; ANGLES: ± 0.5°  
 SURFACE FINISH: 63 MICROINCHES  
 MATERIAL:

**MicroStrain**<sup>®</sup> 459 Hurricane Lane, Suite 102  
 Williston, VT 05495  
 802-862-6629

TITLE **ASSY, EH-LINK**

THIS DRAWING AND SPECIFICATIONS ARE THE PROPERTY OF MICROSTRAIN INC. AND SHALL NOT BE PRODUCED WITHOUT PERMISSION FROM MICROSTRAIN INC.

DESIGNED BY: **JRB**  
 DRAWN BY: **RGL**  
 CHECKED BY: **SWM**  
 APPROVED BY: **BJT**

SIZE <b>A</b>	CAGE CODE <b>OXYZ9</b>	DWG NO:	REV
SCALE <b>1:1</b>	DATE: <b>2/7/2011</b>	SHEET <b>1</b> OF <b>1</b>	

2

1