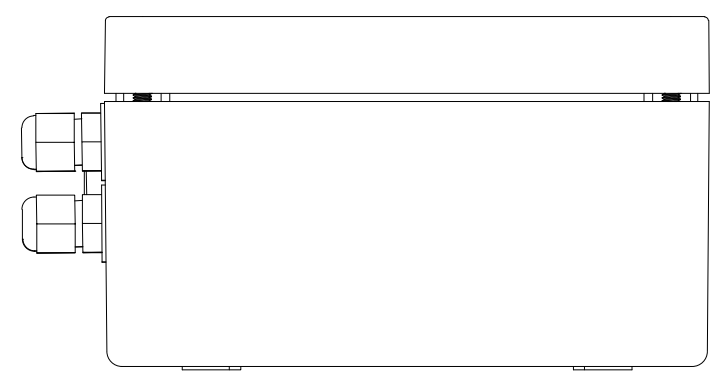
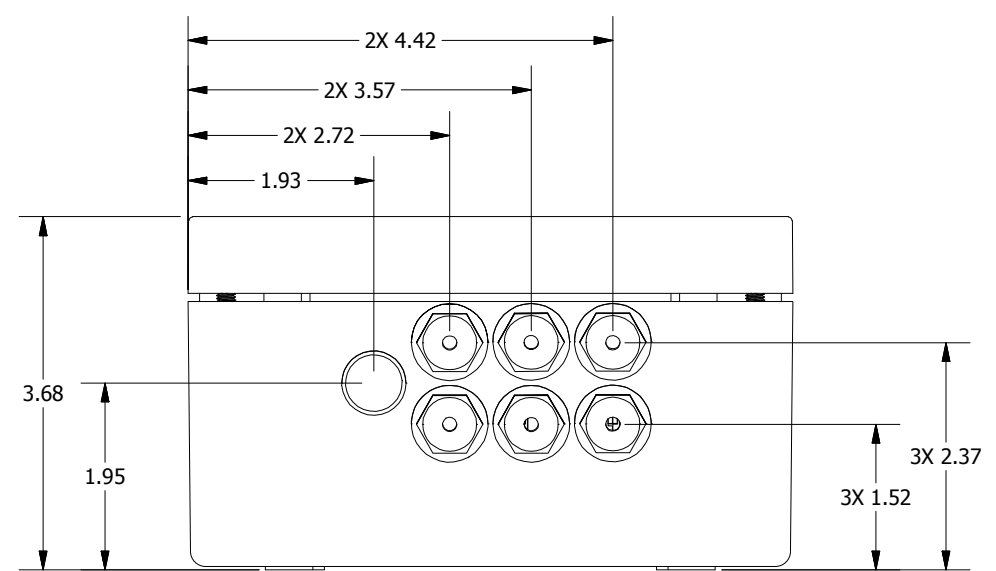
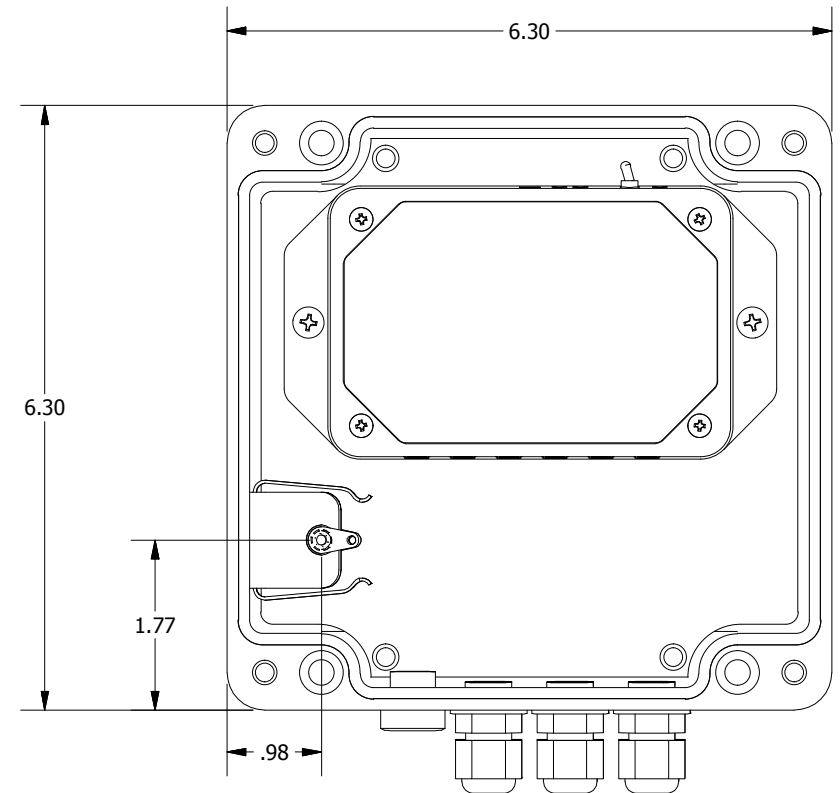



REVISION HISTORY				
REV	AUTHOR	DESCRIPTION	DATE	APPROVED



NOTES:
 1.) DRAWING SCALE 1:2
 2.) IN TOP VIEW, COVER REMOVED FOR CLARITY

<small>UNLESS OTHERWISE SPECIFIED ALL DIMENSIONS ARE IN INCHES. TOLERANCES:(UOS): .X = ± .02 .XX = ± .01 .XXX = ± .005 HOLE DIAMETERS: ± .002 ANGLES: ± 0.5° SURFACE FINISH: 63 MICROINCHES MATERIAL:</small>	<small>DRAWN</small> C.THELEN	<small>DATE</small> 6/30/2014	 <small>459 HURRICANE LN. WILLISTON VT 802-862-6629</small>	
	<small>CHECKED</small>			<small>TITLE</small> TC-LINK-6CH-IP66-XL-ENCL
	<small>MFG</small>		<small>REVISION</small> 000	<small>CAGE CODE</small> OXYZ9
	<small>APPROVED</small>		<small>DWG NO</small> 6311-2000	<small>WWW.MICROSTRAIN.COM</small>

THIS DRAWING AND SPECIFICATIONS ARE THE PROPERTY OF LORD-MICROSTRAIN AND SHALL NOT BE PRODUCED WITHOUT PERMISSION FROM LORD-MICROSTRAIN

4

3

2

1

B

B

A

A

4

3

2

1