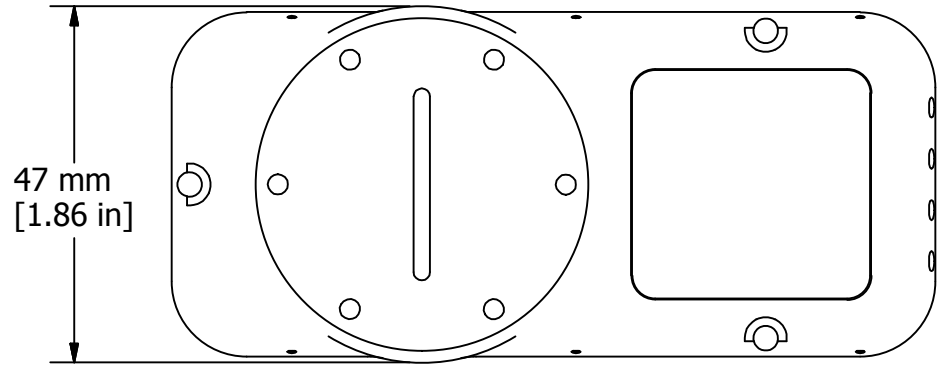
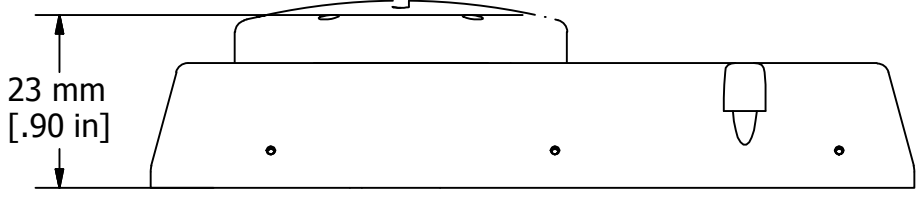


REV	DESCRIPTION	DATE	APPROVED

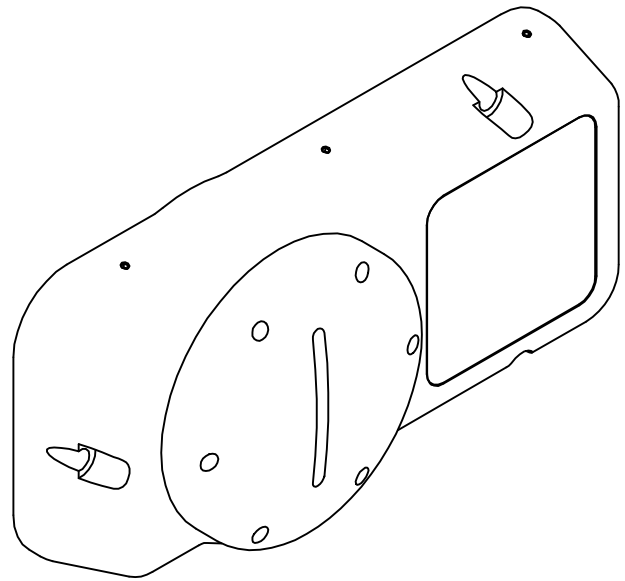


47 mm
[1.86 in]



23 mm
[.90 in]

101 mm
[3.98 in]



UNLESS OTHERWISE SPECIFIED ALL DIMENSIONS ARE IN INCHES.
TOLERANCES:(UOS):
.X = ± .02; .XX = ± .01; .XXX = ± .005
HOLE DIAMETERS: ± .002; ANGLES: ± 0.5°
SURFACE FINISH: 63 MICROINCHES
MATERIAL:
-

MicroStrain[®]

459 Hurricane Lane, Suite 102
Williston, VT 05495
802-862-6629

TITLE
SG-LINK-RGD-LXRS

THIS DRAWING AND SPECIFICATIONS ARE THE PROPERTY OF MICROSTRAIN INC. AND SHALL NOT BE PRODUCED WITHOUT PERMISSION FROM MICROSTRAIN INC.

DESIGNED BY:	DRAWN BY: TDA
CHECKED BY:	APPROVED BY:

SIZE A	CAGE CODE OXYZ9	DWG NO: 6308-5000	REV -
-----------	--------------------	-----------------------------	----------

SCALE 1:1 DATE: 1/24/2013 SHEET 1 OF 1