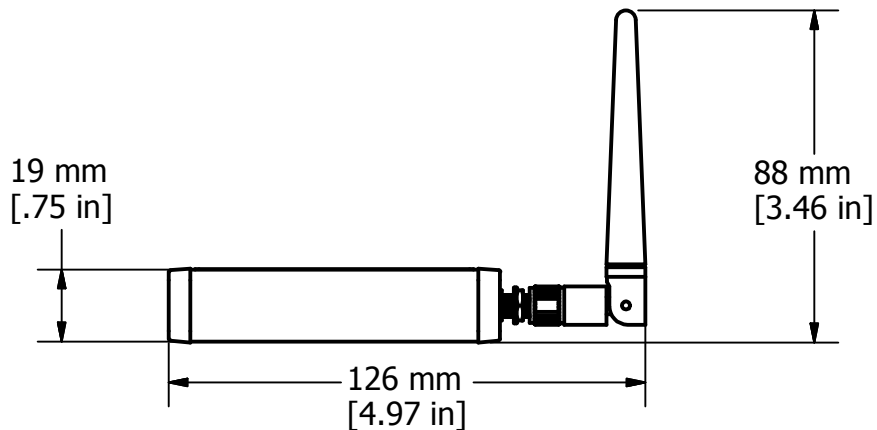
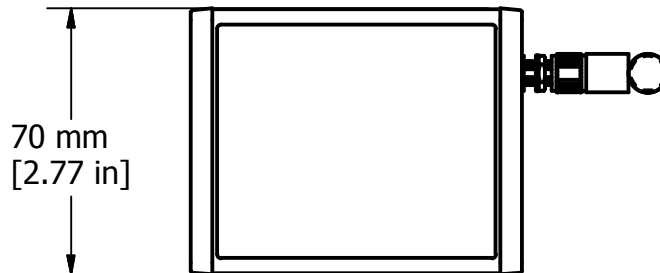


2



1

REV	DESCRIPTION	DATE	APPROVED



B

B

A

A

UNLESS OTHERWISE SPECIFIED ALL DIMENSIONS ARE IN INCHES.
 TOLERANCES:(UOS):
 .X = ± .02; .XX = ± .01; .XXX = ± .005
 HOLE DIAMETERS: ± .002; ANGLES: ± 0.5°
 SURFACE FINISH: 63 MICROINCHES
 MATERIAL:
 -

MicroStrain[®] 459 Hurricane Lane, Suite 102
 Williston, VT 05495
 802-862-6629

TITLE
WSDA-104

THIS DRAWING AND SPECIFICATIONS ARE THE PROPERTY OF MICROSTRAIN INC. AND SHALL NOT BE PRODUCED WITHOUT PERMISSION FROM MICROSTRAIN INC.

DESIGNED BY:

DRAWN BY:
 TDA

CHECKED BY:

APPROVED BY:

SIZE A	CAGE CODE OXYZ9	DWG NO: 6307-1040	REV -
-----------	--------------------	----------------------	----------

SCALE 1/2 DATE: 1/24/2013 SHEET 1 OF 1

2



1