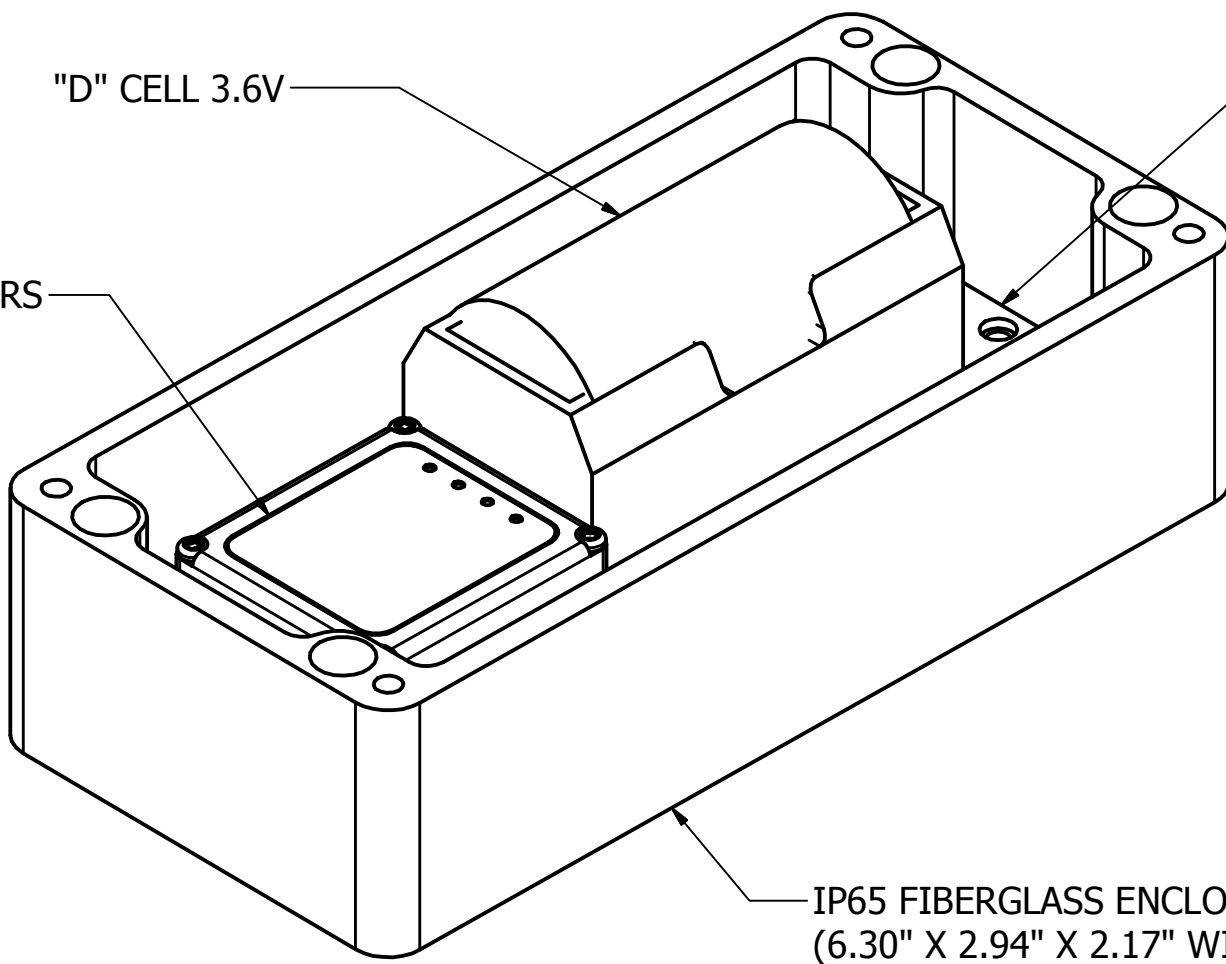


REV	DESCRIPTION	DATE	APPROVED



"D" CELL 3.6V

PCB BOARD
AND "D" CELL
MOUNTING PLATE

G-LINK -LXRS

IP65 FIBERGLASS ENCLOSURE
(6.30" X 2.94" X 2.17" WITH COVER)

UNLESS OTHERWISE SPECIFIED ALL DIMENSIONS ARE IN INCHES.
TOLERANCES:(UOS):
.X = ± .02; .XX = ± .01; .XXX = ± .005
HOLE DIAMETERS: ± .002; ANGLES: ± 0.5°
SURFACE FINISH: 63 MICROINCHES
MATERIAL:

MicroStrain[®]

459 Hurricane Lane, Suite 102
Williston, VT 05495
802-862-6629

TITLE
G-Link-IP66-XL-ENCL

THIS DRAWING AND SPECIFICATIONS ARE THE PROPERTY OF MICROSTRAIN INC. AND SHALL NOT BE PRODUCED WITHOUT PERMISSION FROM MICROSTRAIN INC.

DESIGNED BY: TDA	DRAWN BY: TDA
CHECKED BY:	APPROVED BY: TDA

SIZE A	CAGE CODE OXYZ9	DWG NO: 6306-0200	REV -
SCALE 1 : 1		DATE: 12/4/2007	SHEET 1 OF 1

