

2

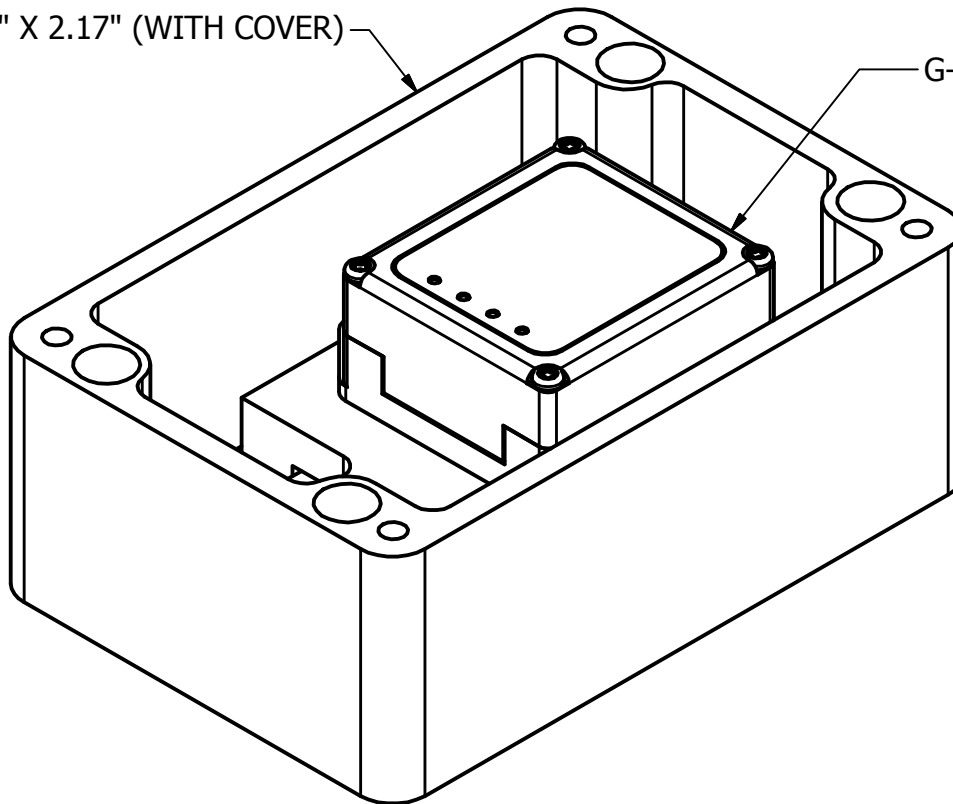


1

REV	DESCRIPTION	DATE	APPROVED

ENCLOSURE 4.32" X 2.94" X 2.17" (WITH COVER)

G-LINK -LXRS



B

B



A

A

UNLESS OTHERWISE SPECIFIED ALL DIMENSIONS ARE IN INCHES.
 TOLERANCES:(UOS):
 .X = ± .02; .XX = ± .01; .XXX = ± .005
 HOLE DIAMETERS: ± .002; ANGLES: ± 0.5°
 SURFACE FINISH: 63 MICROINCHES
 MATERIAL:



459 Hurricane Lane, Suite 102
 Williston, VT 05495
 802-862-6629

TITLE
G-Link-IP66-ENCL

THIS DRAWING AND SPECIFICATIONS ARE THE PROPERTY OF MICROSTRAIN INC. AND SHALL NOT BE PRODUCED WITHOUT PERMISSION FROM MICROSTRAIN INC.

DESIGNED BY: TDA
 DRAWN BY: TDA
 CHECKED BY: TDA
 APPROVED BY: TDA

SIZE A	CAGE CODE OXYZ9	DWG NO: 6306-0100	REV -
SCALE 1 : 1		DATE: 12/4/2007	SHEET 1 OF 1

2



1