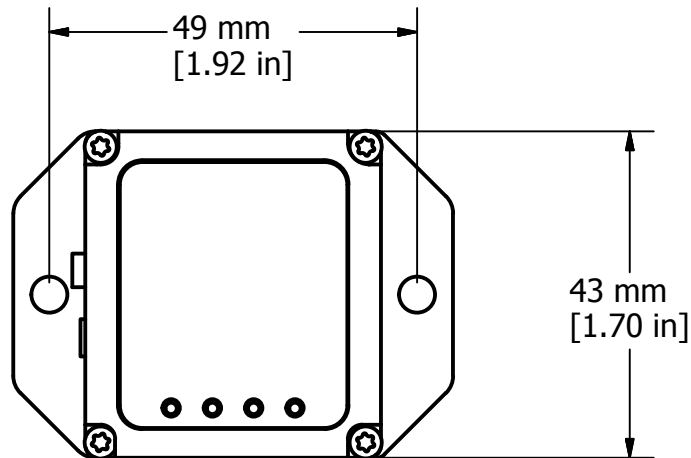


2



1

REV	DESCRIPTION	DATE	APPROVED

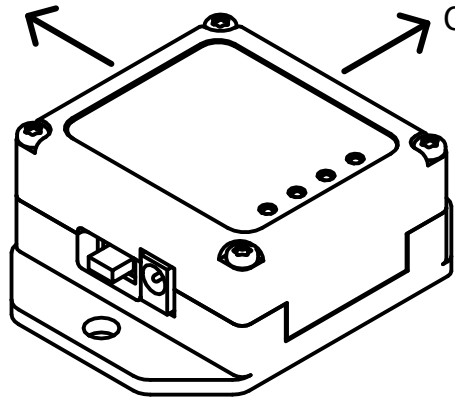


B

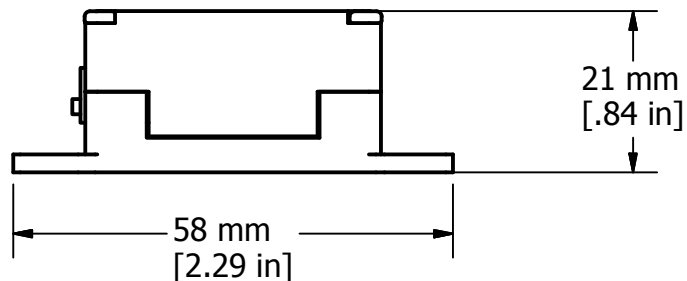
B

Ch. 1 (X)

Ch. 2 (Y)



Ch. 3 (Z)



A

A

UNLESS OTHERWISE SPECIFIED ALL DIMENSIONS ARE IN INCHES.  
 TOLERANCES:(UOS):  
 .X = ± .02; .XX = ± .01; .XXX = ± .005  
 HOLE DIAMETERS: ± .002; ANGLES: ± 0.5°  
 SURFACE FINISH: 63 MICROINCHES  
 MATERIAL:  
 -



459 Hurricane Lane, Suite 102  
 Williston, VT 05495  
 802-862-6629

TITLE <b>G-Link-10G -LXRS</b>			
SIZE A	CAGE CODE OXYZ9	DWG NO: <b>6305-3000</b>	REV -
SCALE 1:1		DATE: 1/24/2013	SHEET 1 OF 1

THIS DRAWING AND SPECIFICATIONS ARE THE PROPERTY OF MICROSTRAIN INC. AND SHALL NOT BE PRODUCED WITHOUT PERMISSION FROM MICROSTRAIN INC.

DESIGNED BY:

DRAWN BY:  
TDA

CHECKED BY:

APPROVED BY:

2



1