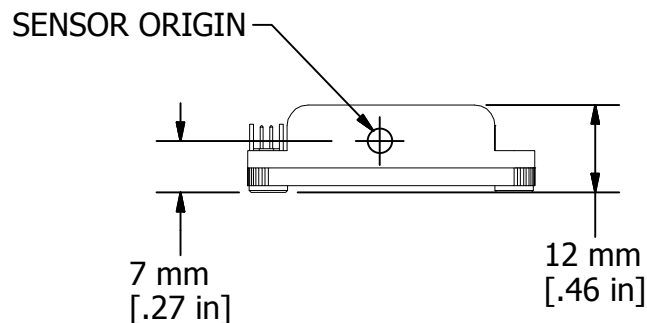
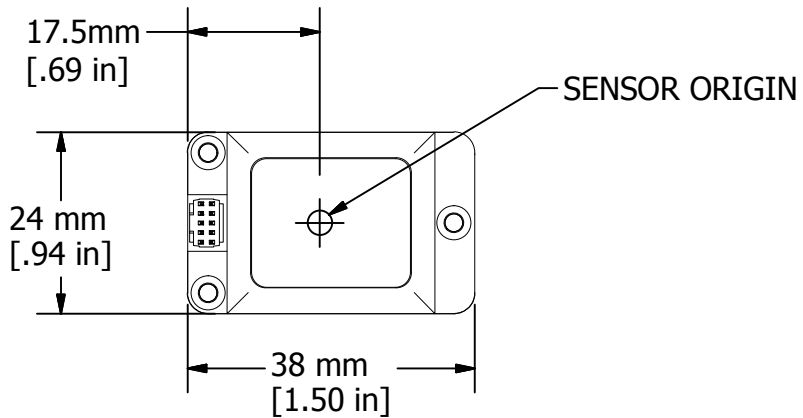


2



1

REV	DESCRIPTION	DATE	APPROVED



B

B

A

A

UNLESS OTHERWISE SPECIFIED ALL DIMENSIONS ARE IN INCHES.  
 TOLERANCES:(UOS):  
 .X = ± .02; .XX = ± .01; .XXX = ± .005  
 HOLE DIAMETERS: ± .002; ANGLES: ± 0.5°  
 SURFACE FINISH: 63 MICROINCHES  
 MATERIAL:  
 -

**MicroStrain<sup>®</sup>** 459 Hurricane Lane, Suite 102  
 Williston, VT 05495  
 802-862-6629

TITLE  
**3DM-GX3-25-OEM**

DESIGNED BY:      DRAWN BY: TDA  
 CHECKED BY:      APPROVED BY:

SIZE A	CAGE CODE OXYZ9	DWG NO: 6227-4260_SENSOR ORIGIN	REV -
-----------	--------------------	------------------------------------	----------

SCALE 1:1      DATE: 1/24/2013      SHEET 1 OF 1

THIS DRAWING AND SPECIFICATIONS ARE THE PROPERTY OF MICROSTRAIN INC. AND SHALL NOT BE PRODUCED WITHOUT PERMISSION FROM MICROSTRAIN INC.

2



1