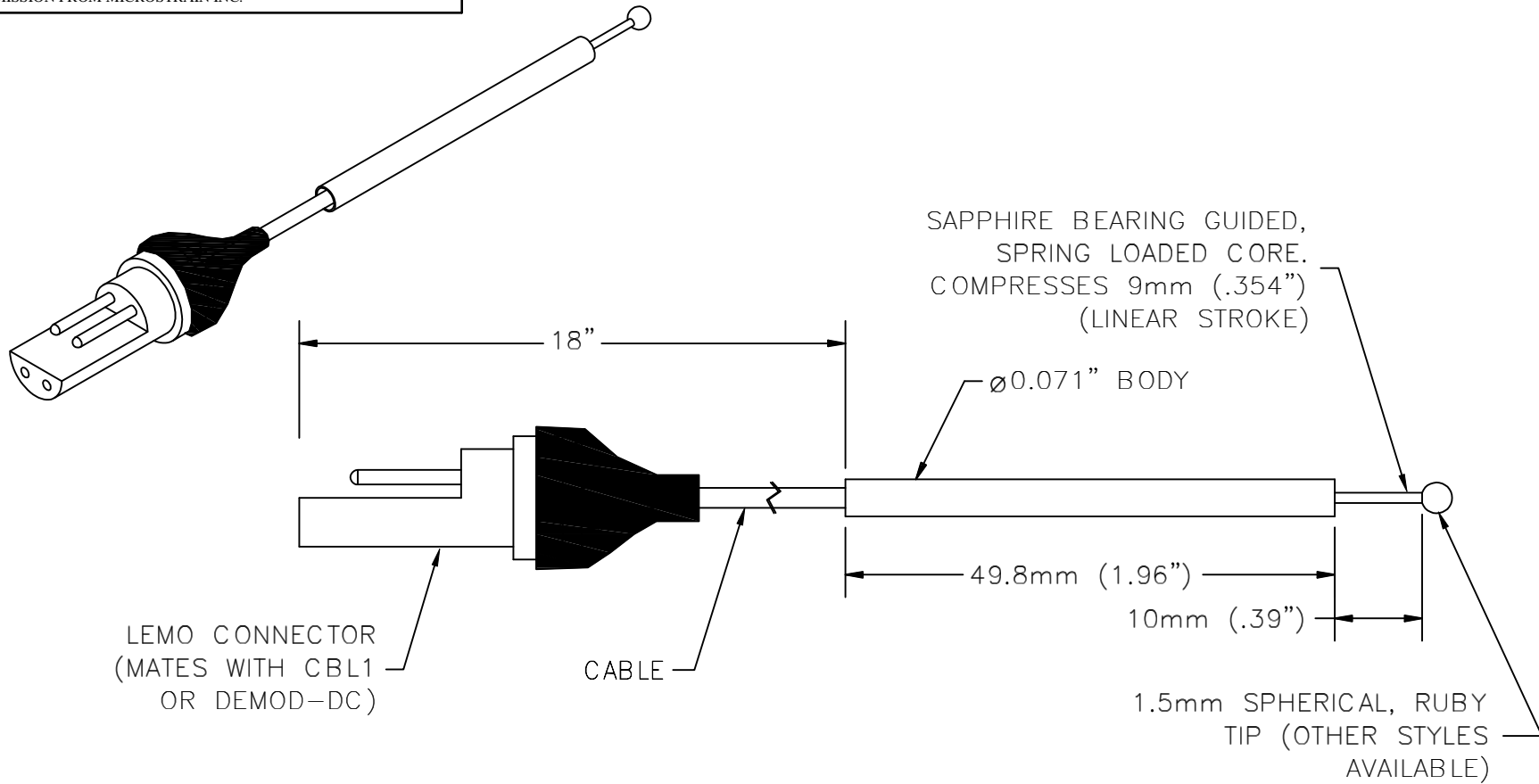


THIS DRAWING AND SPECIFICATIONS ARE THE PROPERTY OF MICROSTRAIN INC. AND SHALL NOT BE REPRODUCED WITHOUT PERMISSION FROM MICROSTRAIN INC.



SENSOR CABLE IS SHIELDED AND TEFLON COATED. EACH CONDUCTOR IS WRAPPED AROUND A STAINLESS STEEL WIRE FOR INCREASED TENSILE STRENGTH.

UNLESS OTHERWISE SPECIFIED ALL DIMENSIONS ARE IN INCHES.
TOLERANCES (UOS)
FRACTIONS: +/-1/64
DECIMALS: .XX +/- .01
.XXX +/- .005
ANGLES: +/- 0.5 DEGREES
SURFACE FINISH: 63 MICROINCHES

MicroStrain® 310 Hurricane Lane, Suite 4
Williston, VT 05495
802-862-6629

TITLE

MG-DVRT-9

DRAWN BY: SP/SWM

SIZE
A

CAGE CODE
0XYZ9

DWG NO. 6103-0200

REV
0

APPROVED BY:

SCALE 3:1

DATE: 16 MAY 2002

SHEET 1 OF 1