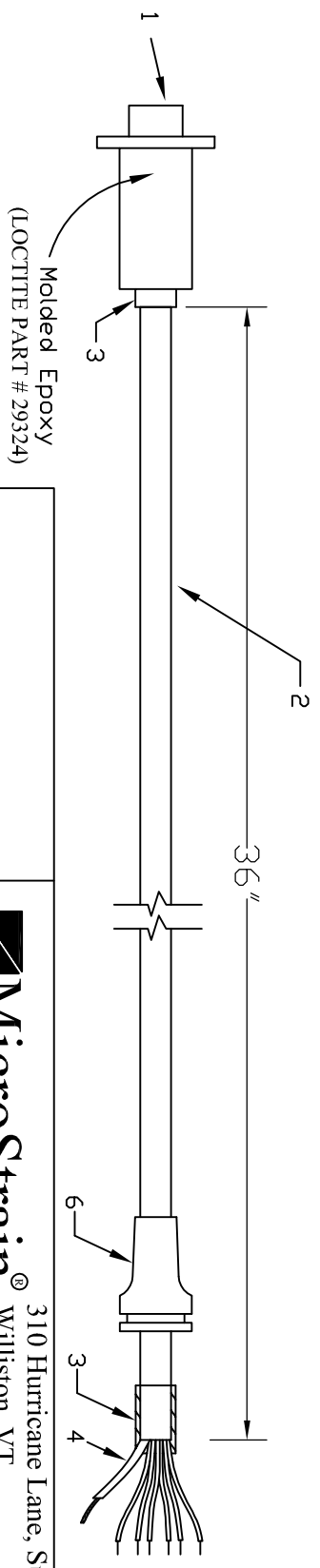
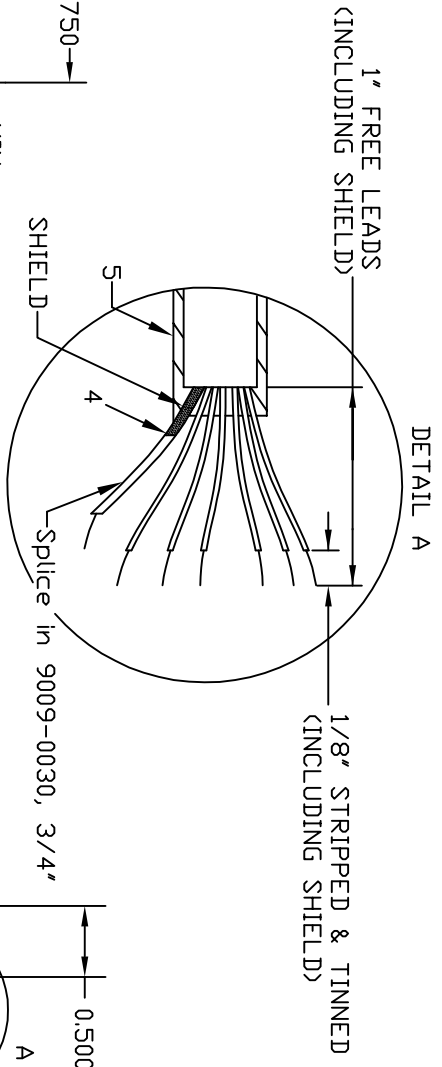
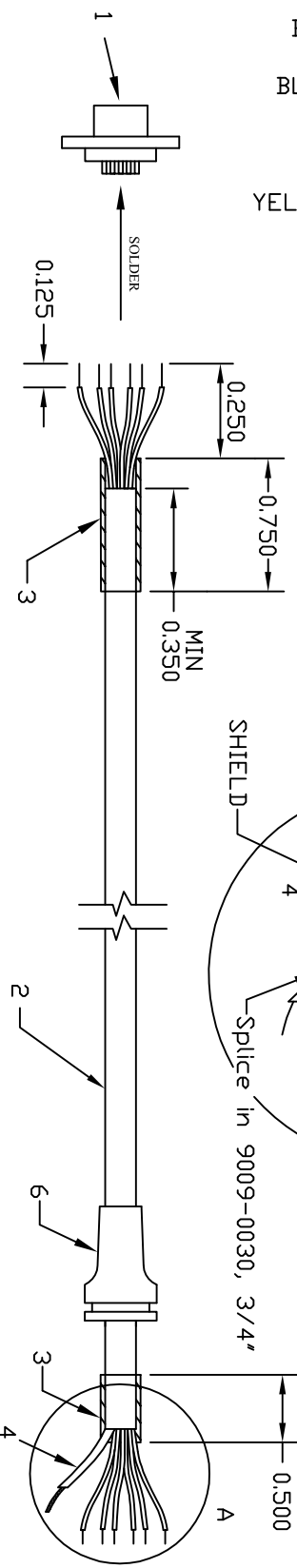
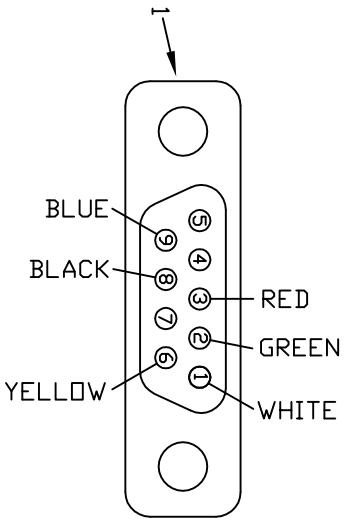


(C) MICROSTRAIN, INC. 2007. ALL RIGHTS RESERVED.
 THIS DRAWING AND SPECIFICATIONS ARE THE PROPERTY OF
 MICROSTRAIN INC. AND SHALL NOT BE REPRODUCED WITHOUT
 PERMISSION FROM MICROSTRAIN INC.

MICRO DB-9 MALE
 (VIEW FROM SOLDER CUP SIDE)



REVISIONS				
ZONE	REV	DESCRIPTION	DATE	APPROVED
	001	ECO # 0000	7/8/08	MRJ

<p>MicroStrain[®] 310 Hurricane Lane, Suite 4 Williston, VT (P) 802-862-6629</p>		<p>TITLE LITHIUM BATTERY PACK MICRO-D FREE LEAD CABLE</p>	
<p>DRAWN BY: Sean Santerre</p>	<p>APPROVED BY: Grayson King</p>	<p>SIZE A</p>	<p>CAGE CODE: 0XYZ9</p>
<p>SCALE 1:1</p>		<p>DWG NO. 4005-0024-ASSY</p>	<p>DATE: 4 JAN, 2007</p>
<p>SHEET 1 OF 1</p>		<p>REV 001</p>	