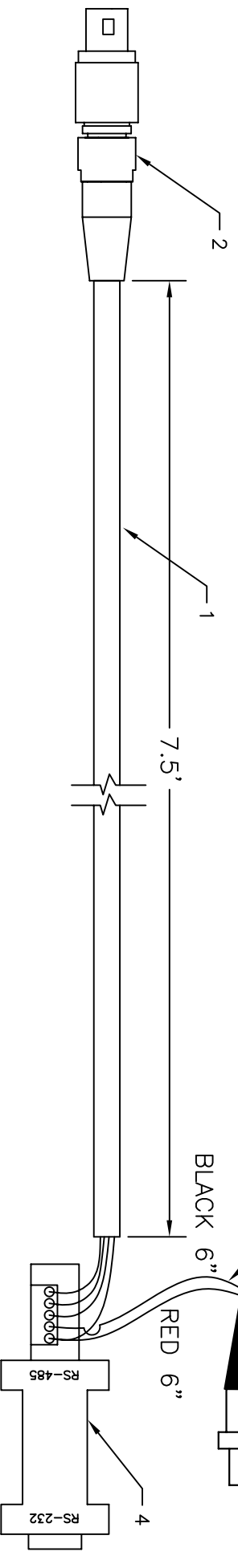
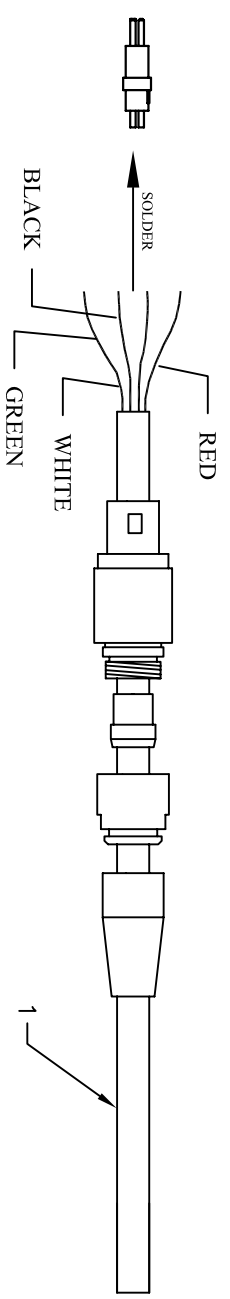
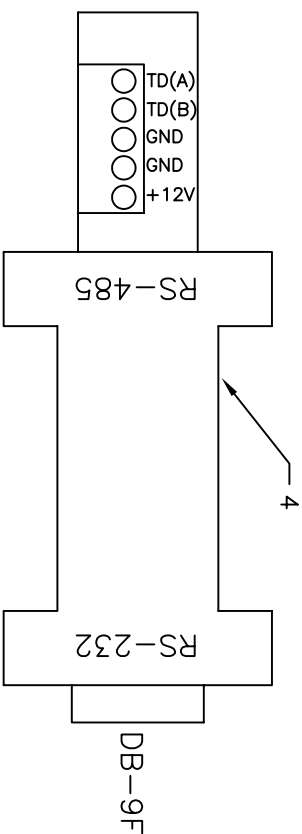
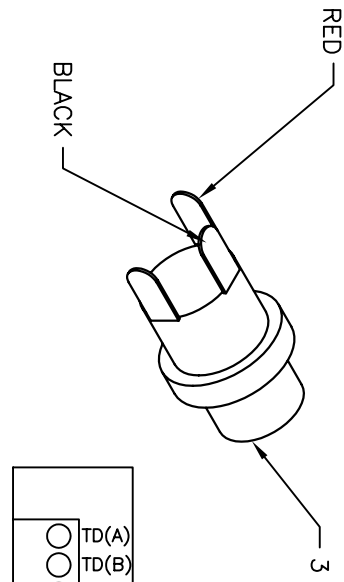
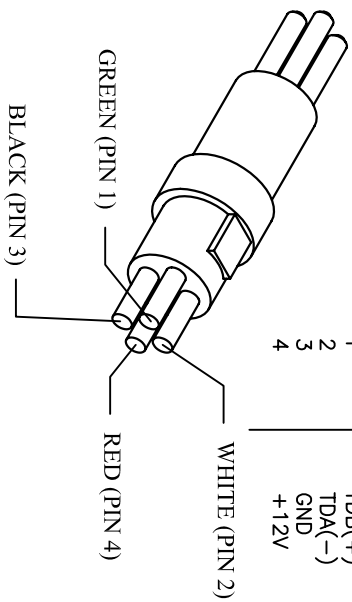


(C) MICROSTRAIN, INC. 1998. ALL RIGHTS RESERVED.
 THIS DRAWING AND SPECIFICATIONS ARE THE PROPERTY OF
 MICROSTRAIN INC. AND SHALL NOT BE REPRODUCED WITHOUT
 PERMISSION FROM MICROSTRAIN INC.

REVISIONS			
REV	DESCRIPTION	DATE	APPROVED
-	-	-	-

PIN#	RS485
1	TDB(+)
2	TDA(-)
3	GND
4	+12V



- NOTES:
1. COONER WIRE CABLE P/N NMUF4/30-4046SI.
 2. LEMO CONNECTOR P/N FGG.00.304.CI.AD27Z.
 3. CUI POWER JACK P/N P1-005A.
 4. B&B ELECTRONICS CONVERTER P/N 485SD9TB
 5. SHRINK TUBING RAYCHEM P/N 3/16 RNFBK.

UNLESS OTHERWISE SPECIFIED ALL
 DIMENSIONS ARE IN INCHES.
 TOLERANCES (UOS)
 FRACTIONS: +/1/64
 DECIMALS: .XX +/-.01
 .XXX +/-.005
 ANGLES: +/-.0.5 DEGREES
 SURFACE FINISH: 63 MICRONS

MicroStrain
 310 Hurricane Lane, Suite 4
 Williston, VT 05495
 802-862-6629

3DM-G-485-CBL

DRAWN BY: **STEPHEN PENDO**
 APPROVED BY:

SIZE: **A** CAGE CODE: **0XYZ9** DWG NO. **4005-0018** REV: **-**
 SCALE: **1:1** DATE: **7/27/04** SHEET **1 OF 1**