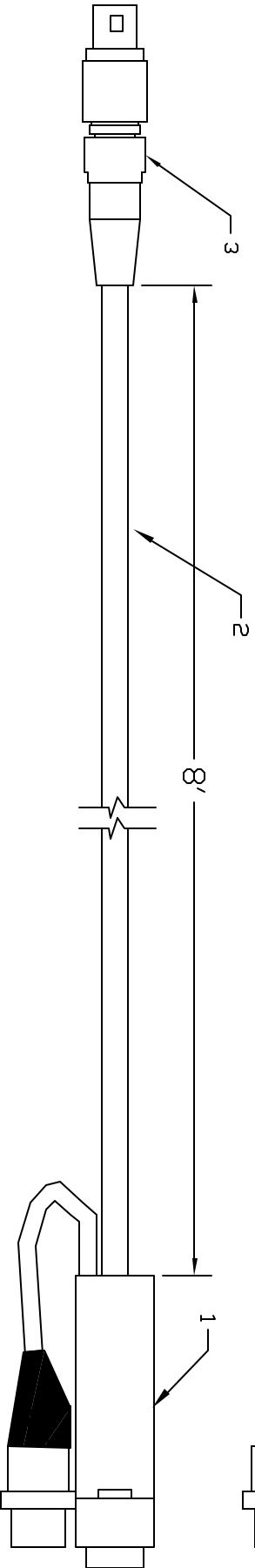
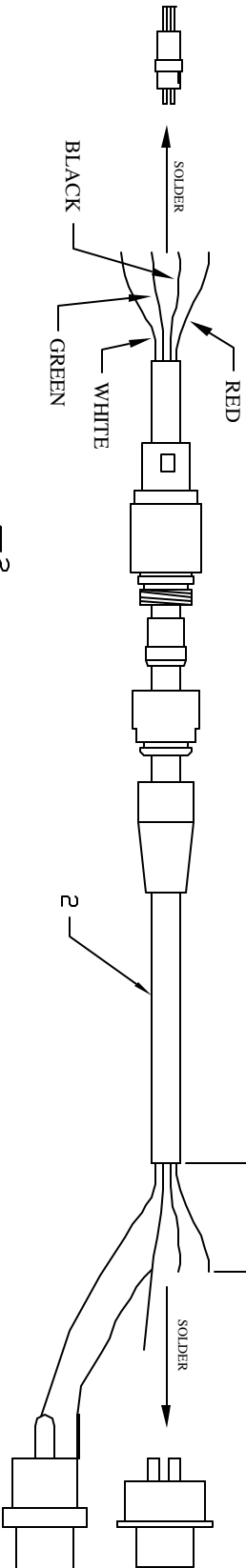
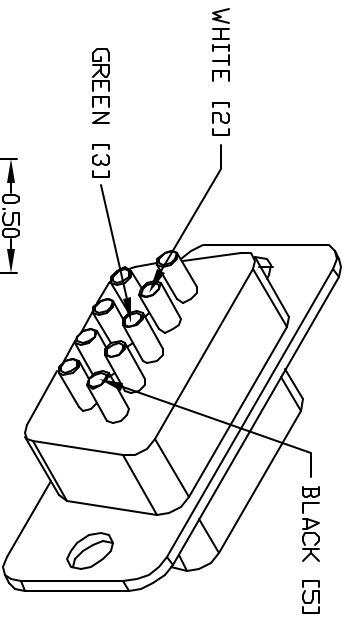
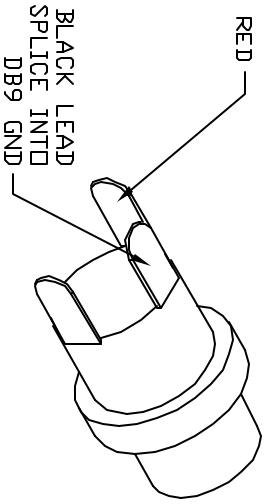
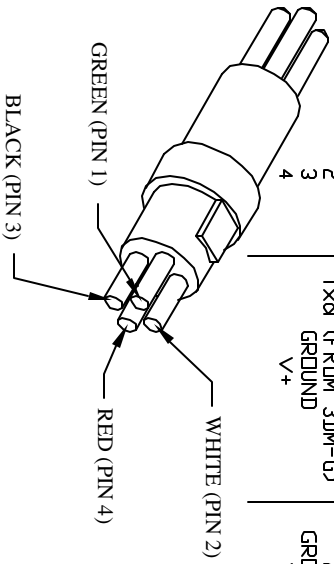


(C) MICROSTRAIN INC. 1998. ALL RIGHTS RESERVED.
 THIS DRAWING AND SPECIFICATIONS ARE THE PROPERTY OF
 MICROSTRAIN INC. AND SHALL NOT BE REPRODUCED WITHOUT
 PERMISSION FROM MICROSTRAIN INC.

REVISIONS		4005-0013	APPROVED
ZONE	REV	DESCRIPTION	DATE
A		SWITCH WIRING TO LEMO PINS 3 AND 4	1/31/02
B		CHANGE LEMO PIN NUMBERS	10/24/02
			C. TOWNSEND
			S. PENDO

PIN#	RS232	RS485
1	RxD (TD 3DM-G)	R(+)
2	TxD (FRDM 3DM-G)	A(-)
3	GROUND	GROUND
4	V+	V+



- NOTES:
1. DB9 FEMALE CONNECTOR, P/N 209F-ND, AND SHELL, P/N 909GM-ND.
 2. COONER WIRE CABLE P/N NMUF4/30-4046SI.
 3. LEMO CONNECTOR P/N FGG.00.304.CLAD27Z.
 4. SHRINK TUBING RAYCHEM P/N 3/16 RNBBK.

UNLESS OTHERWISE SPECIFIED ALL
 DIMENSIONS ARE IN INCHES.
 TOLERANCES (TOS)
 FRACTIONS: $\pm 1/64$
 DECIMALS: .XX ± 0.01
 .XXX ± 0.005
 ANGLES: ± 0.5 DEGREES
 SURFACE FINISH: 63 MICROINCHES

3DM-G CABLE



310 Hurricane Lane, Suite 4
 Williston, VT 05495
 802-862-6629

TITLE

DRAWN BY: Steven Mundell

SIZE A

CAGE CODE: 0XYZ9

DWG NO. 4005-0013

REV B

APPROVED BY:

SCALE 1:1

DATE: 20 DEC, 2001

SHEET 1 OF 1