

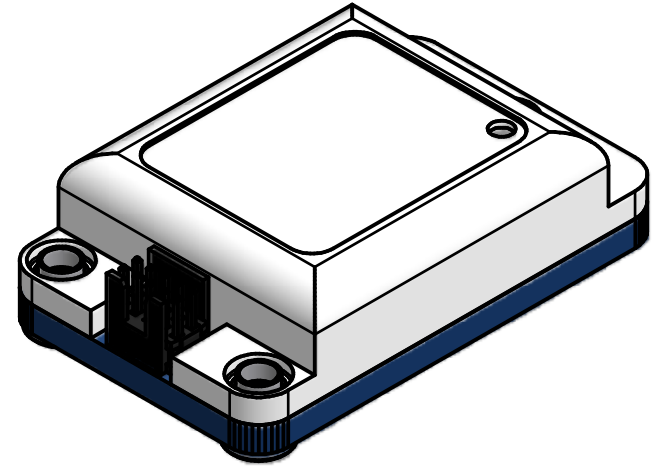
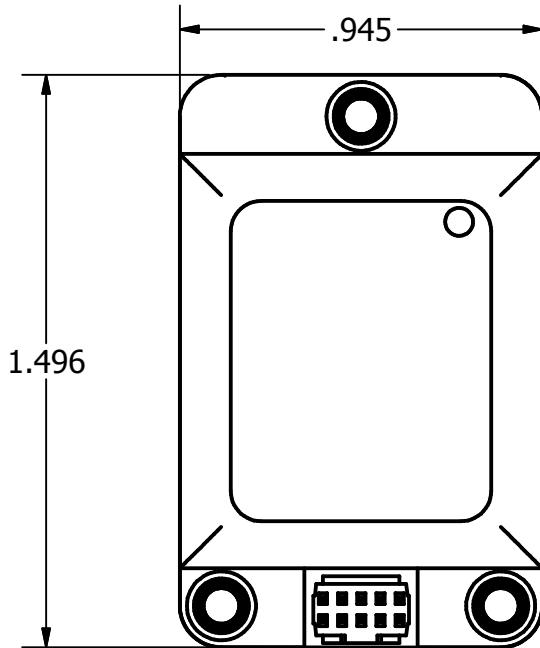
2



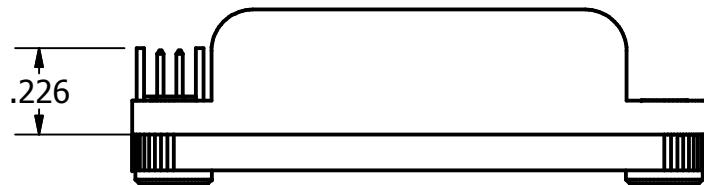
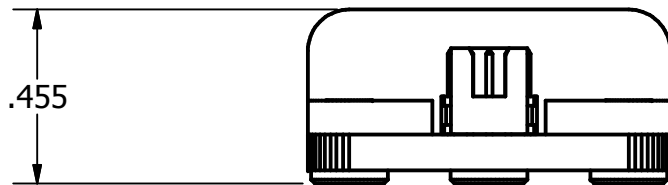
1

REV	DESCRIPTION	DATE	APPROVED

B



B



A

UNLESS OTHERWISE SPECIFIED ALL DIMENSIONS ARE IN INCHES.
 TOLERANCES:(UOS):
 .X = ± .02; .XX = ± .01; .XXX = ± .005
 HOLE DIAMETERS: ± .002; ANGLES: ± 0.5°
 SURFACE FINISH: 63 MICROINCHES
 MATERIAL:



459 Hurricane Lane, Suite 102
 Williston, VT 05495
 802-862-6629

A

TITLE			
-------	--	--	--

THIS DRAWING AND SPECIFICATIONS ARE THE PROPERTY OF MICROSTRAIN INC. AND SHALL NOT BE PRODUCED WITHOUT PERMISSION FROM MICROSTRAIN INC.

DESIGNED BY: r_lussier	DRAWN BY: r_lussier
CHECKED BY:	APPROVED BY: r_lussier

SIZE A	CAGE CODE OXYZ9	DWG NO: 3DM-GX3-25-OEM	REV
SCALE	DATE: 9/10/2009	SHEET 1 OF 1	

2



1