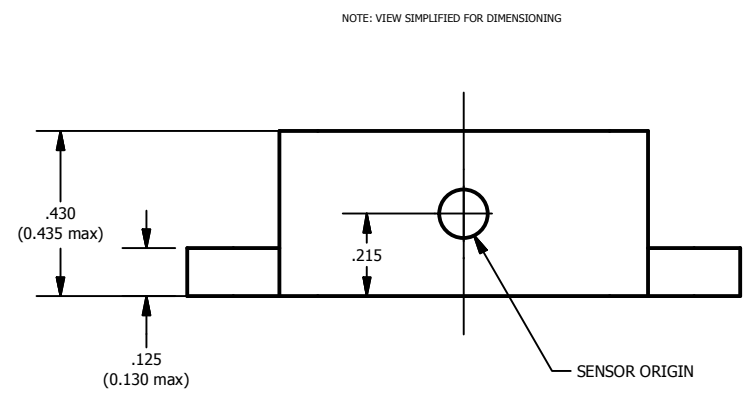
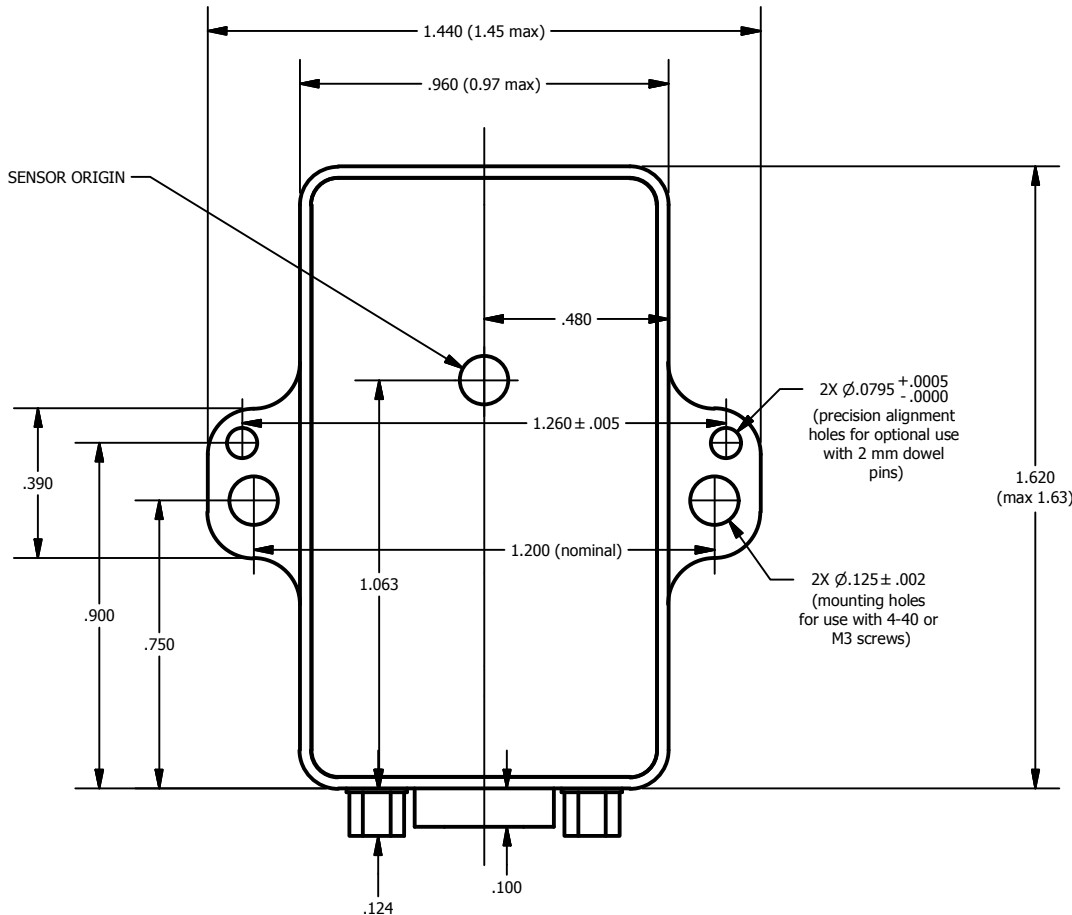


3DM-GX3®-15 3DM-GX3®-25 Mounting Diagram



MicroStrain® 459 Hurricane Lane, Suite 102
Williston, VT 05495
802-862-6629

UNLESS OTHERWISE SPECIFIED ALL DIMENSIONS ARE IN INCHES.
TOLERANCES:(UOS):
.X = ± .02; .XX = ± .01; .XXX = ± .005
HOLE DIAMETERS: ± .002; ANGLES: ± 0.5°
SURFACE FINISH: 63 MICROINCHES
MATERIAL: 6061 Aluminum Black Anodized