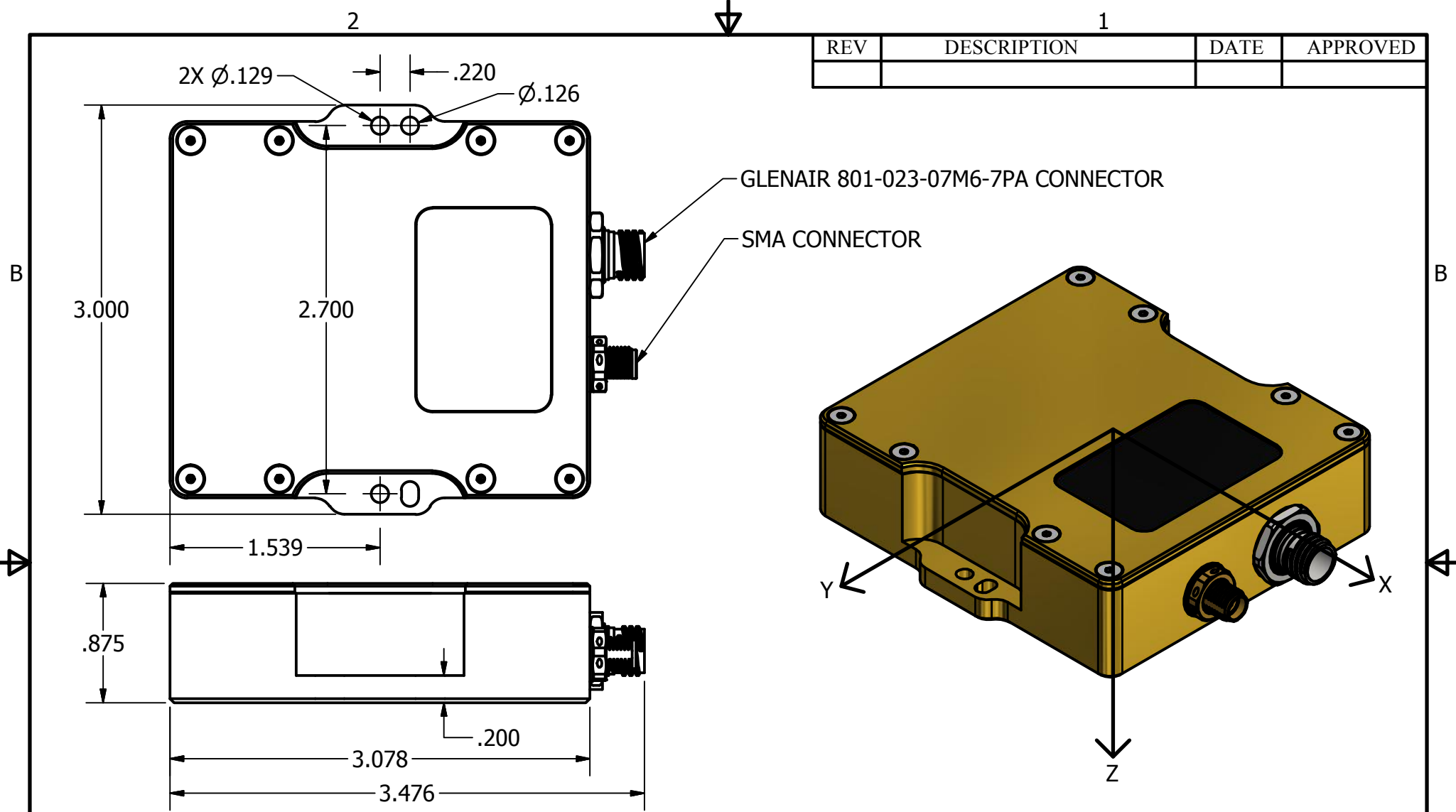


REV	DESCRIPTION	DATE	APPROVED



UNLESS OTHERWISE SPECIFIED ALL DIMENSIONS ARE IN INCHES.
 TOLERANCES:(UOS):
 .X = ± .02; .XX = ± .01; .XXX = ± .005
 HOLE DIAMETERS: ± .002; ANGLES: ± 0.5°
 SURFACE FINISH: 63 MICROINCHES
 MATERIAL:
 -

MicroStrain[®] 459 Hurricane Lane, Suite 102
 Williston, VT 05495
 802-862-6629

TITLE **6232-4070**
3DM-RQ1-45 GPS/INS

THIS DRAWING AND SPECIFICATIONS ARE THE PROPERTY OF MICROSTRAIN INC. AND SHALL NOT BE PRODUCED WITHOUT PERMISSION FROM MICROSTRAIN INC.

DESIGNED BY: _____ DRAWN BY: TDA
 CHECKED BY: _____ APPROVED BY: DLC

SIZE A	CAGE CODE OXYZ9	DWG NO: 3065-0136	REV -
SCALE 1:1		DATE: 2/1/2013	SHEET 1 OF 1

A

A

2

1