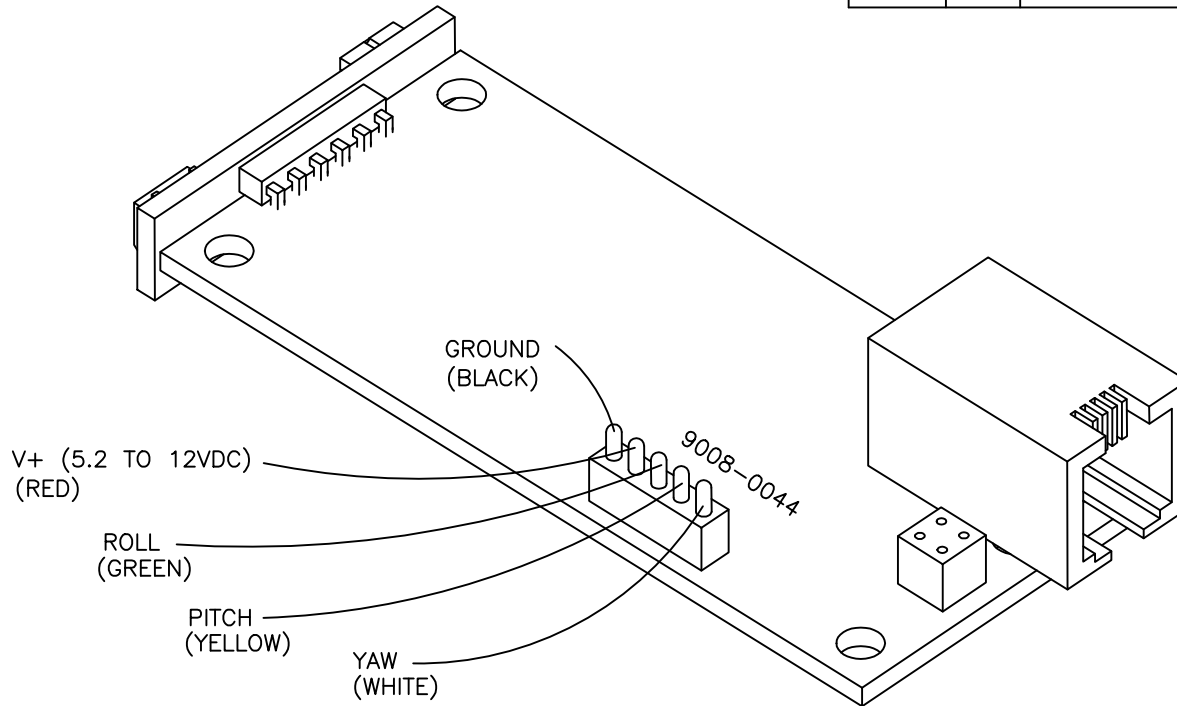


THIS DRAWING AND SPECIFICATIONS ARE THE PROPERTY OF MICROSTRAIN INC. AND SHALL NOT BE REPRODUCED WITHOUT PERMISSION FROM MICROSTRAIN INC.

REVISIONS

3027-0002

ZONE	REV	DESCRIPTION	DATE	APPROVED
	A	GROUND CONN. CHANGED	5/3/02	
	B	ADD GROUND PIN TO HEADER	7/2/04	



NOTE:

1. TO USE ANALOG OUTPUT MODE 3DM MUST BE PUT INTO CONTINUOUS ANGLE MODE. THIS CAN BE DONE USING THE 3DM SOFTWARE UNDER FILE>SET MODE.

UNLESS OTHERWISE SPECIFIED ALL DIMENSIONS ARE IN INCHES.
 TOLERANCES (UOS)
 FRACTIONS: +/-1/64
 DECIMALS: .XX +/-0.01
 .XXX +/-0.005
 ANGLES: +/- 0.5 DEGREES
 SURFACE FINISH: 63 MICROINCHES

MicroStrain[®]

310 Hurricane Lane, Suite 4
 Williston, VT 05495
 802-862-6629

TITLE

3DM-DH ASSEMBLY

DRAWN BY: Steven Mundell

SIZE
A

CAGE CODE
0XYZ9

DWG NO. **3027-0002**

REV
B

APPROVED BY:

SCALE **2:1**

DATE: 14 DEC 2001

SHEET 1 OF 1