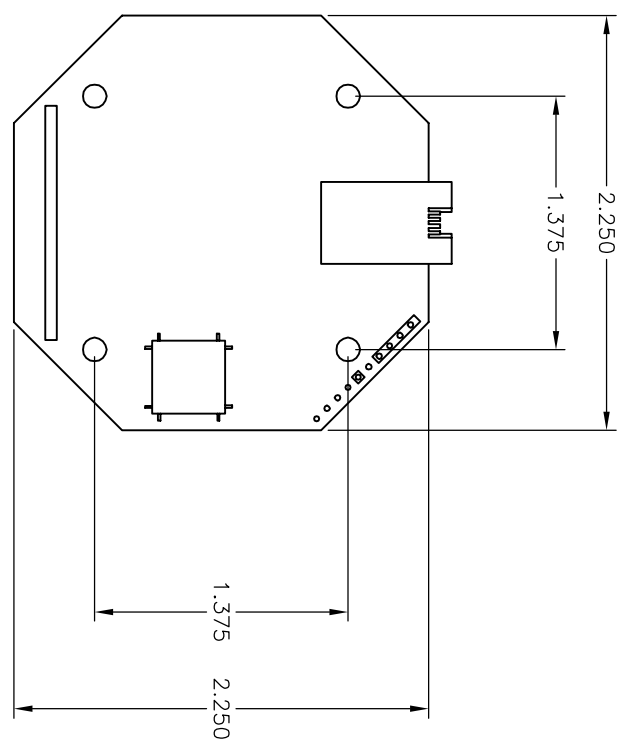
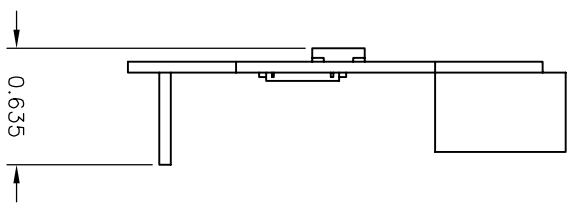
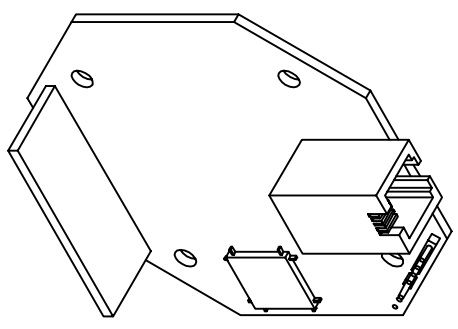


THIS DRAWING AND SPECIFICATIONS ARE THE PROPERTY OF MICROSTRAIN INC. AND SHALL NOT BE REPRODUCED WITHOUT PERMISSION FROM MICROSTRAIN INC.

| REVISIONS |     | 3010-0011   |      |          |
|-----------|-----|-------------|------|----------|
| ZONE      | REV | DESCRIPTION | DATE | APPROVED |
|           |     |             |      |          |



UNLESS OTHERWISE SPECIFIED ALL DIMENSIONS ARE IN INCHES.  
 TOLERANCES (UNO)  
 FRACTIONS:  $\pm 1/64$   
 DECIMALS: .XX  $\pm .01$   
 .XXX  $\pm .005$   
 ANGLES:  $\pm 0.5$  DEGREES  
 SURFACE FINISH: 63 MICRONS

DRAWN BY: Steven Mundell  
 APPROVED BY:

**MicroStrain**<sup>®</sup>  
 294 N. Winsoski Ave.  
 Burlington, VT  
 (P) 802-862-6629

**3DM PCB DIMENSIONS**

|       |                |           |     |
|-------|----------------|-----------|-----|
| SIZE  | CAGE CODE      | DWG NO.   | REV |
| A     | 0XYZ9          | 3010-0011 | -   |
| SCALE | DATE           | SHEET     |     |
| 1:1   | 23 AUGUST 2001 | 1 OF 1    |     |