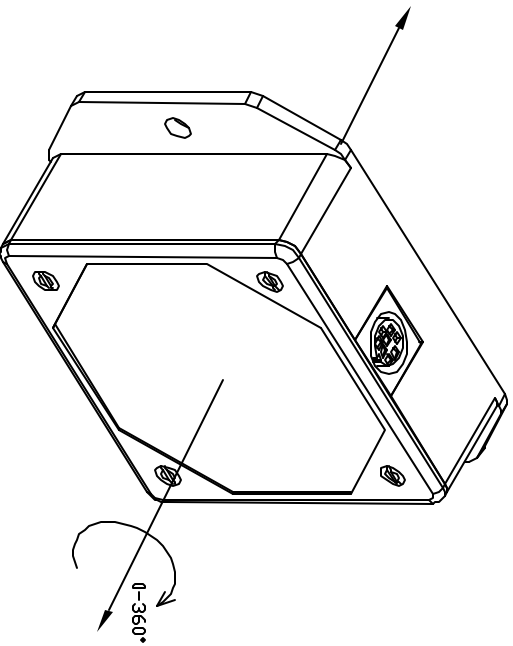
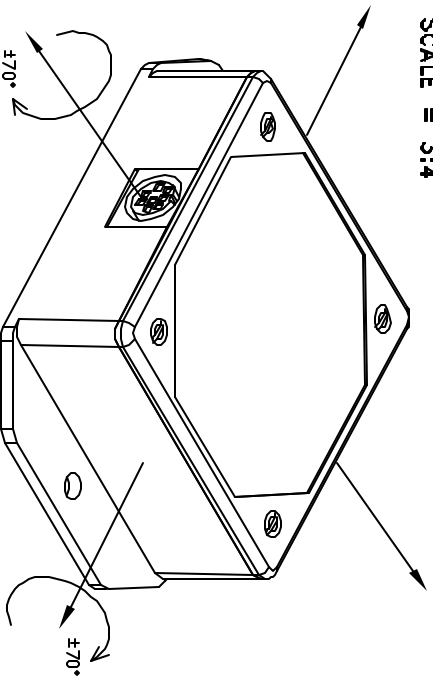


(C) MICROSTRAIN, INC. 1998. ALL RIGHTS RESERVED.
 THIS DRAWING AND SPECIFICATIONS ARE THE PROPERTY OF
 MICROSTRAIN INC. AND SHALL NOT BE REPRODUCED WITHOUT
 PERMISSION FROM MICROSTRAIN INC.

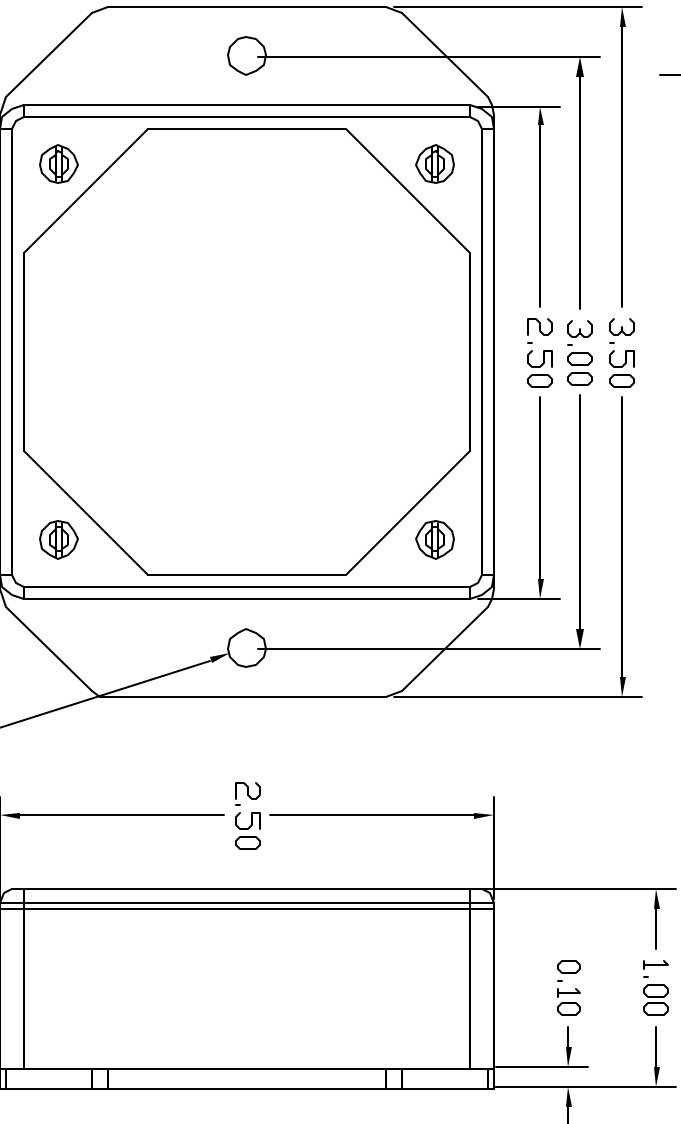
SCALE = 3:4



SCALE = 3:4



REVISIONS		3009-0009	APPROVED
ZONE	REV	DESCRIPTION	DATE



- NOTES:**
 1. ENCLOSURE MATERIAL: ABS PLASTIC WITH UL FLAME RATING OF 94-V0.

UNLESS OTHERWISE SPECIFIED ALL DIMENSIONS ARE IN INCHES.
 TOLERANCES (UNOS)
 FRACTIONS: $\pm 1/64$
 DECIMALS: .XX ± 0.01
 .XXX ± 0.005
 ANGLES: ± 0.5 DEGREES
 SURFACE FINISH: 63 MICRONS

MicroStrain®
 294 N. Winooski Ave.
 Burlington, VT
 (P) 802-862-6629

FAS-A ORIENTATION

DRAWN BY: Steven Mundell	SIZE: A	CAGE CODE: 0XYZ9	DWG. NO. 3009-0009	REV: -
APPROVED BY:	SCALE: 1:1	DATE: 27 DEC 2001	SHEET: 1 OF 1	