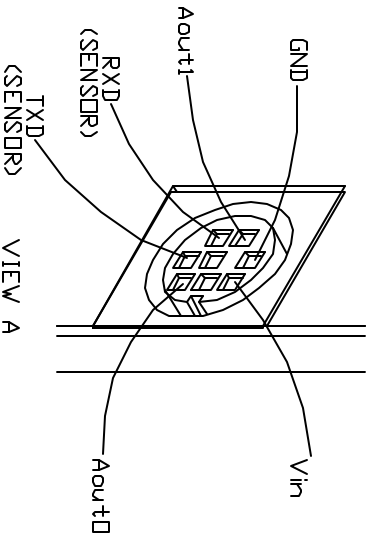
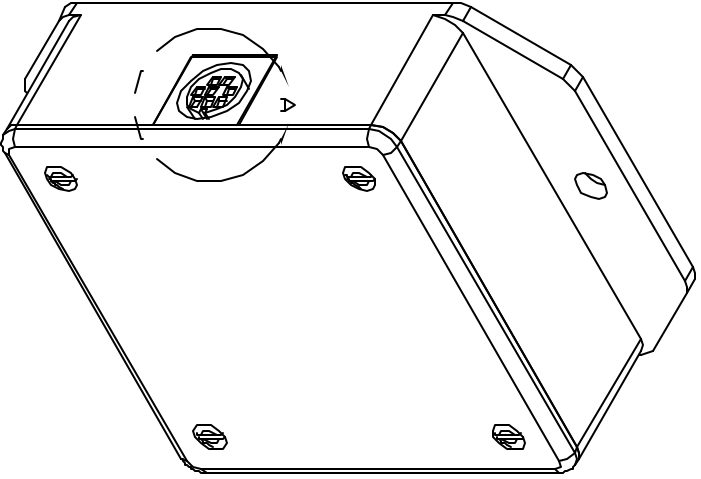
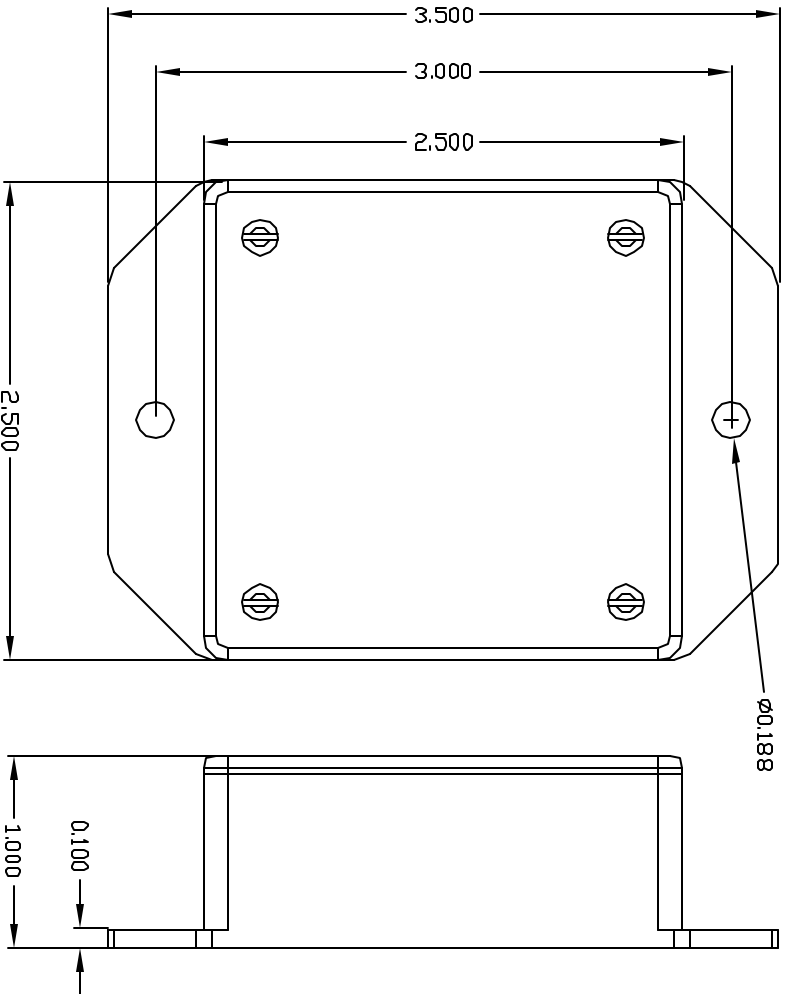


(C) MICROSTRAIN, INC. 1998. ALL RIGHTS RESERVED.
 THIS DRAWING AND SPECIFICATIONS ARE THE PROPERTY OF
 MICROSTRAIN INC. AND SHALL NOT BE REPRODUCED WITHOUT
 PERMISSION FROM MICROSTRAIN INC.



REVISIONS		3009-0004		
ZONE	REV	DESCRIPTION	DATE	APPROVED



UNLESS OTHERWISE SPECIFIED ALL
 DIMENSIONS ARE IN INCHES.
 TOLERANCES (UNOS)
 FRACTIONS: $\pm 1/64$
 DECIMALS: .XX $\pm .01$
 .XXX $\pm .005$
 ANGLES: ± 0.5 DEGREES
 SURFACE FINISH: 63 MICRONS

MicroStrain [®]
 294 N. Winooski Ave.
 Burlington, VT
 (P) 802-862-6629

FAS-A ENCLOSURE CONNECTOR

DRAWN BY: Steven Mundell	SIZE A	GAGE CODE: 0XYZ9	DWG NO. 3009-0004	REV -
APPROVED BY:	SCALE 1:1	DATE: 10 FEB 2000	SHEET 1 OF 1	